

PARTS CATALOGUE

DATSUN SPORTS 1600

MODEL SP311-U, SPL311



NISSAN MOTOR CO., LTD.

TOKYO JAPAN

PARTS CATALOGUE

DATSUN SPORTS 1600

MODEL SP311-U, SPL311



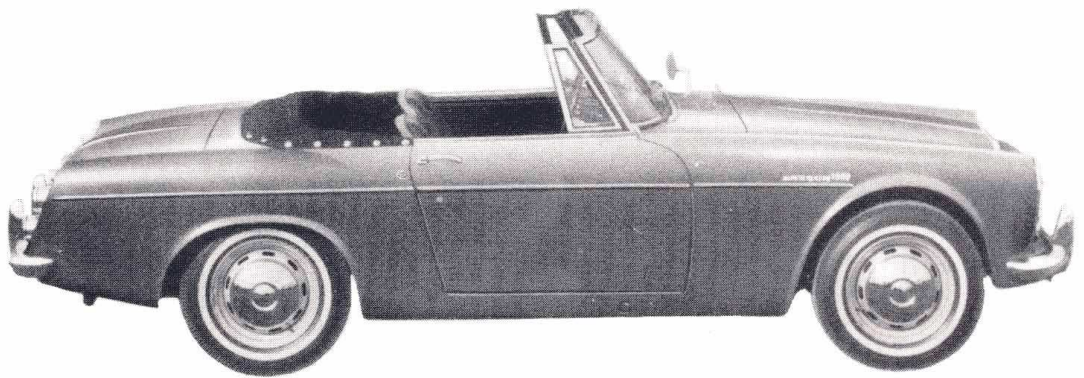
NISSAN MOTOR CO., LTD.

**OTEMACHI BLDG., OTEMACHI, CHIYODA-KU,
TOKYO, JAPAN**

CABLE ADDRESS : "NISMO" TOKYO

PHONES : (216) 2311





FOREWORD

This parts catalog contains only the parts newly adopted or changed on DATSUN SPORTS 1600 Model SP311-U and SPL311.

When you refer to other parts not listed in this catalog, please see our parts catalog (Pub. No. C-019) and use it for some time until you have a regular parts catalog for DATSUN SPORTS 1600.

Brief specification of each model

Model	Specification	Engine Model	Part Type
SP311-U	DATSUN SPORTS 1600 (right-hand drive & 1.6 l engine equipment)	R	-14600
SPL311	DATSUN SPORTS 1600 (left-hand drive & 1.6 l engine equipment)	R	-14700

In case of new adoption or change of the parts, you will be informed of them through our periodical "SPARE PARTS BULLETIN".

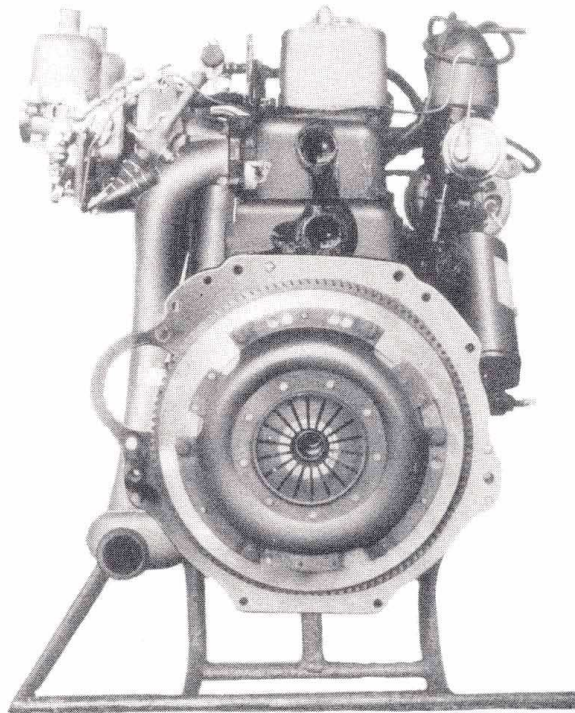
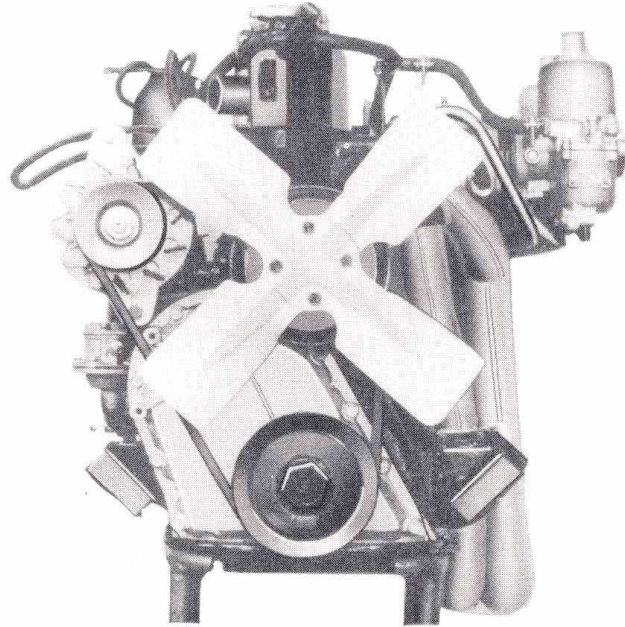
Therefore, kindly correct this parts catalog as to these parts.

I N D E X

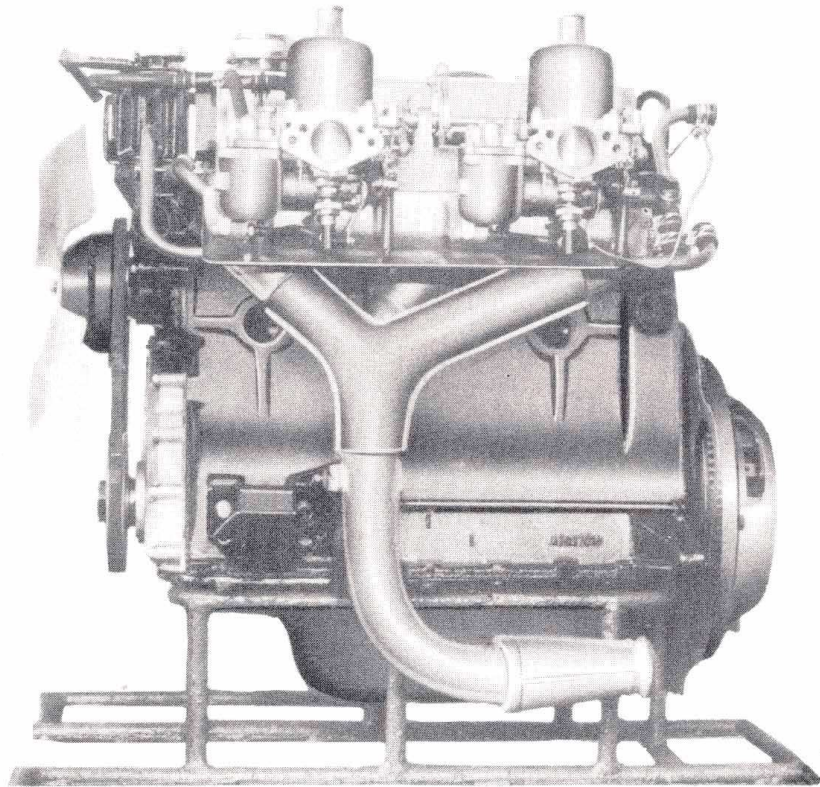
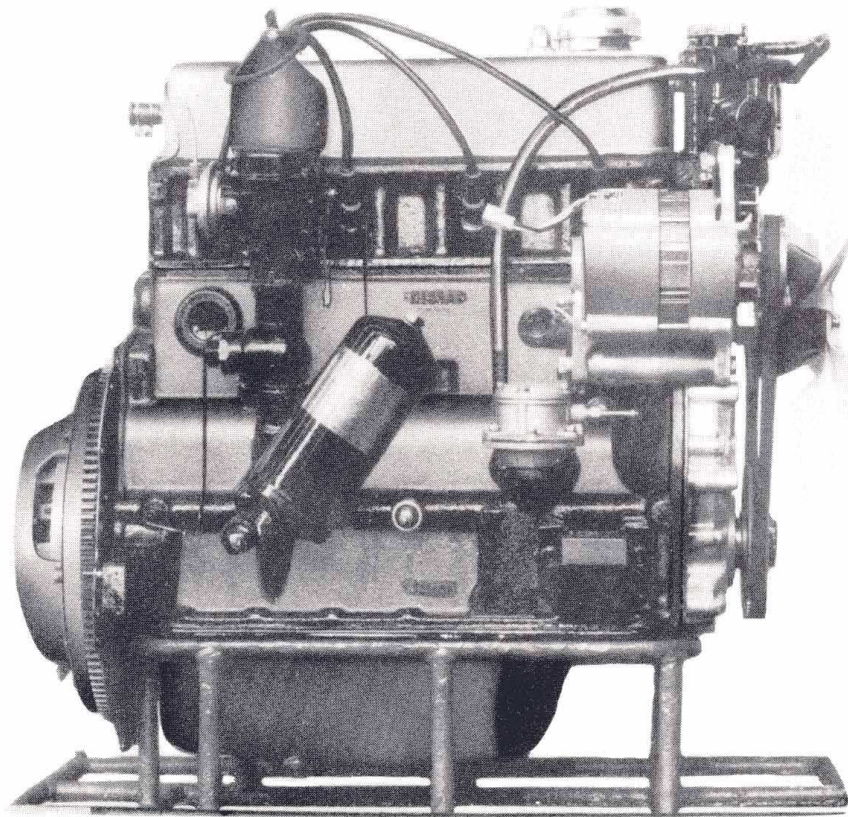
Section	Page
ENGINE	1
CYLINDER BLOCK	4
CYLINDER HEAD.....	4
PISTON.....	5
CONNECTING ROD	5
CRANK SHAFT	6
FLYWHEEL.....	6
VALVE MECHANISM	6
VALVE ROCKER COVER	6
MANIFOLD	8
CARBURETOR	8
ACCELERATOR	10
FUEL PUMP	10
FUEL TANK	11
ACCELERATOR PEDAL.....	12
CHOKE WIRE	12
WATER PUMP	13
RADIATOR	15
ENGINE MOUNTING	15
ALTERNATOR.....	15
DISTRIBUTOR.....	16
WIRING.....	17
BATTERY.....	17
ELECTRIC PARTS.....	18
METER	19
WINDSHIELD WIPER.....	20
ROOM HEATER	20
RADIO.....	20
CLOCK	20
CLUTCH.....	23
TRANSMISSION	27
HAND BRAKE	32
PROPELLER SHAFT.....	33
GEAR CARRIER	33
SWIVEL AXLE	36
FRONT SUSPENSION.....	36
FRONT BRAKE.....	38
FRONT HUB & DRUM	39
ROAD WHEEL.....	39
REAR AXLE	40
REAR BRAKE	40
BRAKE MASTER CYLINDER.....	40
BRAKE PIPING	41

Section	Page
BRAKE & CLUTCH PEDAL.....	41
STEERING WHEEL.....	43
FRAME.....	43
REAR SUSPENSION.....	43
BODY.....	44

Part No.	Description	Q'ty per Section	Former Part No.	Interchangeability	Applied Model
----------	-------------	------------------	-----------------	--------------------	---------------



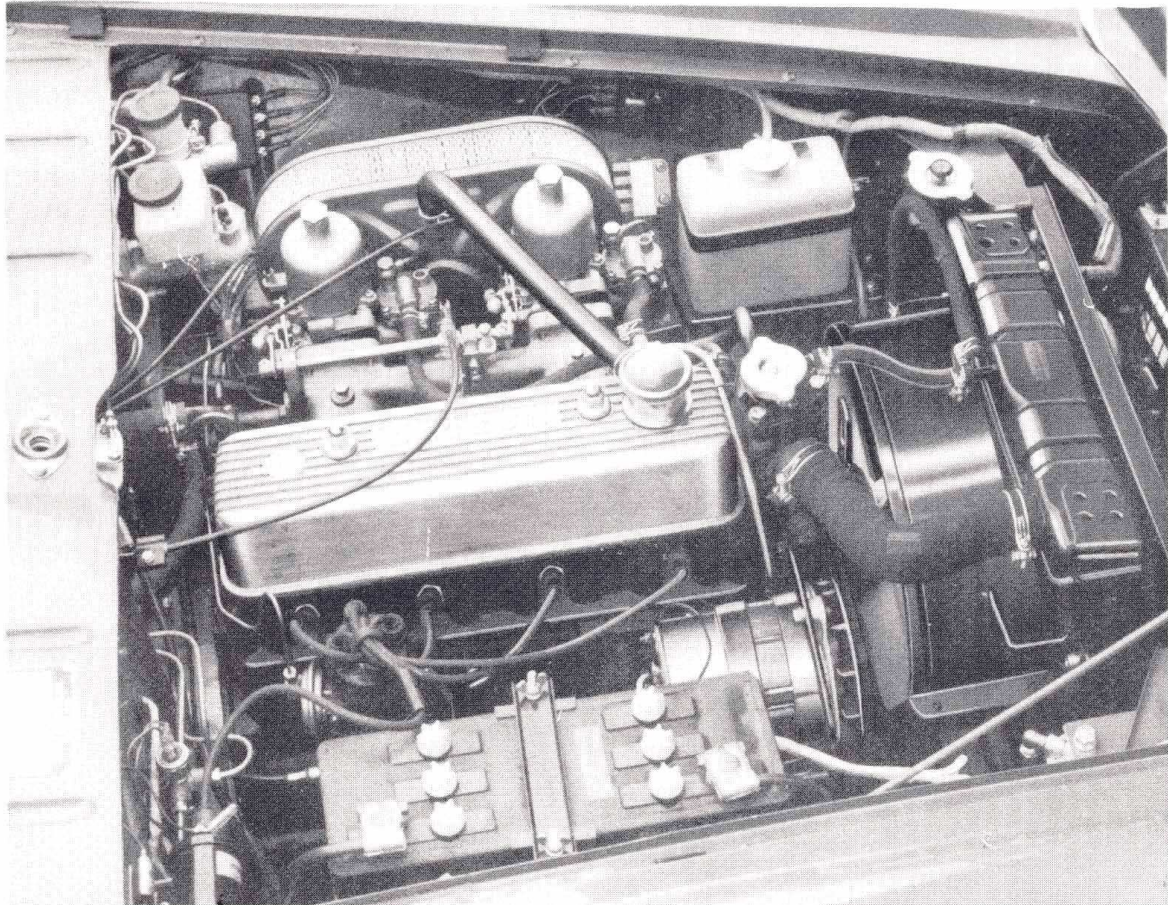
Part No.	Description	Q'ty per Section	Former Part No.	Interchangeability	Applied Model
----------	-------------	------------------	-----------------	--------------------	---------------



Part No.	Description	Q'ty per Section	Former Part No.	Interchangeability	Applied Model
----------	-------------	------------------	-----------------	--------------------	---------------

ENGINE

10000-14600	Engine ass'y with transmission	1	10000-12900	None	SP311-U
10000-14700	Engine ass'y with transmission	1	10000-13001	None	SPL311
10001-14650	Engine ass'y with clutch	1	10001-12251	None	SP311-U
10001-14750	Engine ass'y with clutch (Air pollution)	1	10001-12350	None	SPL311
10100-14600	Engine ass'y	1	10100-12200	None	SP311-U, SPL311
10102-14600	Bare engine	1	10102-12900	None	SP311-U, SPL311
10103-14700	Short engine	1	10103-12900	None	SP311-U, SPL311



Part No.	Description	Q'ty per Section	Former Part No.	Interchangeability	Applied Model
----------	-------------	------------------	-----------------	--------------------	---------------

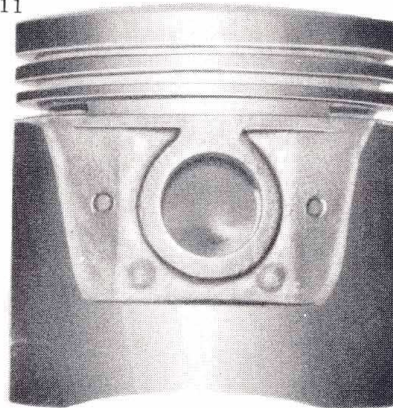
CYLINDER BLOCK

11010-14600	Block ass'y -cylinder	1	11010-37000	None	SP311-U, SPL311
-------------	-----------------------	---	-------------	------	--------------------

CYLINDER HEAD

11041-14602	Head ass'y-cylinder	1	11041-12200	None	SP311-U, SPL311
10005-14600	Slinger-Engine, front	1	23173-12200	None	SP311-U, SPL311
11044-14600	Casket-Cylinder head	1	11044-33100 11044-32200	None None	SP311-U, SPL311
11049-14600	Plug- Welch 20	2	Newly	-	SP311-U, SPL311
11050-14600	Stud- Water outlet	2	2-14542-1	None	SP311-U, SPL311
11051-14600	Nut-Jacket hole	1	3-33185	None	SP311-U, SPL311
11052-14600	Washer-Jacket hole	1	Newly	-	SP311-U, SPL311
11058-14600	Washer-Cylinder head	9	Newly	-	SP311-U, SPL311
11059-14600	Bolt-Cylinder head	1	Newly	-	SP311-U, SPL311
11060-14602	Outlet-Water	1	11060-10400	None	SP311-U, SPL311

12010-14611



Part No.	Description	Q'ty per Section	Former Part No.	Interchangeability	Applied Model
----------	-------------	------------------	-----------------	--------------------	---------------

PISTON

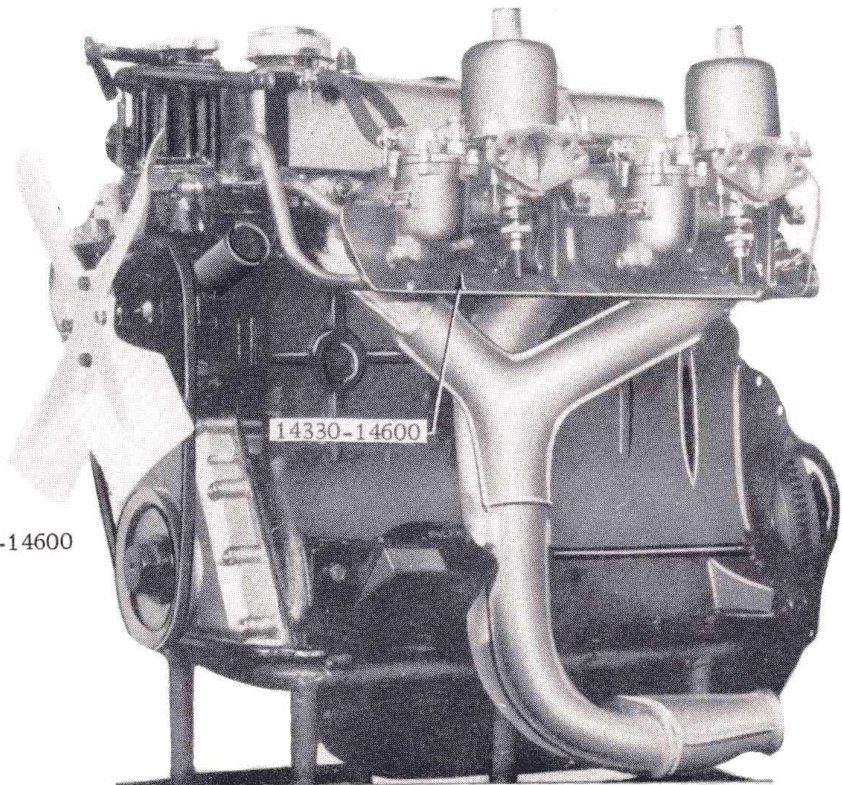
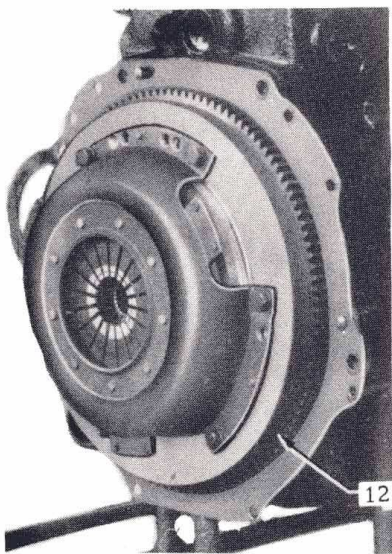
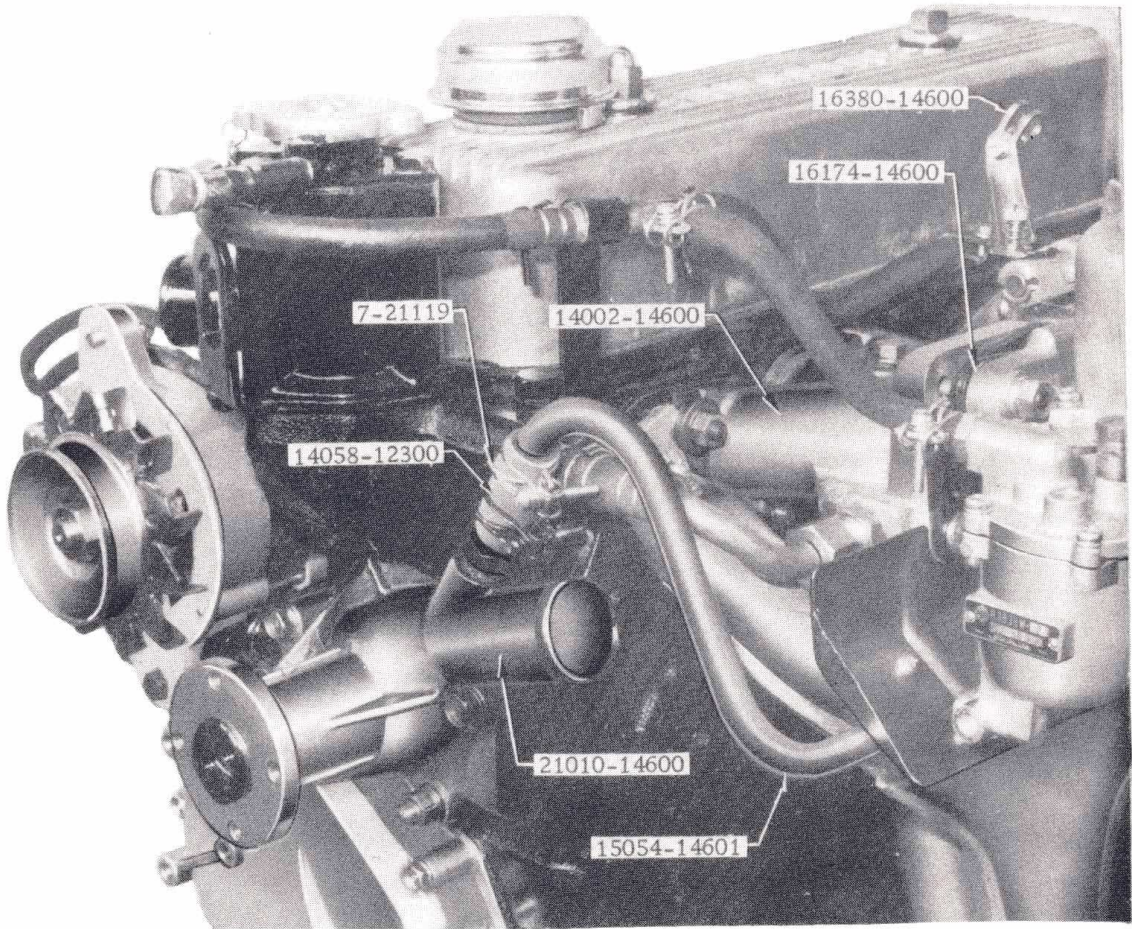
12010-14611	Set-Piston W/pin (STD)	1	12010-12206	None	SP311-U, SPL311
12010-14613	Set-Piston W/pin+25	1	12010-12201	None	SP311-U, SPL311
12010-14614	Set-Piston, W/pin+50	1	12010-12202	None	SP311-U, SPL311
12010-14615	Set-Piston, W/pin+75	1	12010-12203	None	SP311-U, SPL311
12010-14616	Set-Piston, W/pin+100	1	12010-12204	None	SP311-U, SPL311
12010-14618	Set-Piston, W/pin+150	1	12010-12205	None	SP311-U, SPL311
12024-14600	Pin-Piston	4	12024-32200	None	SP311-U, SPL311
12033-14600	Set-Ring-Piston (STD)	1	12033-32201	None	SP311-U, SPL311
12035-14600	Set-Ring, piston (+25)	1	12035-32201	None	SP311-U, SPL311
12036-14600	Set-Ring, piston (+50)	1	12036-32201	None	SP311-U, SPL311
12037-14600	Set-Ring, piston (+75)	1	12037-32201	None	SP311-U, SPL311
12038-14600	Set-Ring, piston (+100)	1	12038-32201	None	SP311-U, SPL311
12040-14600	Set-Ring, piston (+150)	1	12040-32201	None	SP311-U, SPL311

CONNECTING ROD

12100-14650	Ass'y-Rod, conn. less pal nut	4	12100-32250	None	SP311-U, SPL311
11019-14600	Bolt-conn. rod	8	12109-32200	None	SP311-U, SPL311
12111-12210	Bush-conn. rod (STD) F770	8	12111-10400	None	SP311-U, SPL311
12117-12210	Bush-conn. rod (-25) F770	8	12117-10400	None	SP311-U, SPL311
12118-12210	Bush-conn. rod (-50) F770	8	12118-10400	None	SP311-U, SPL311
12119-12210	Bush-conn. rod (-75) F770	8	12119-10400	None	SP311-U, SPL311
12120-12210	Bush-conn. rod (-100) F770	8	12120-10400	None	SP311-U, SPL311

Part No.	Description	Q'ty per Section	Former Part No.	Interchangeability	Applied Model
12121-12210	Bush-conn. rod (-6) F770	8	12121-10400	None	SP311-U, SPL311
12122-12210	Bush-conn. rod (-12) F770	8	12122-10400	None	SP311-U, SPL311
<i>CRANK SHAFT</i>					
12200-14600	Comp.-Shaft, crank	1	12200-12200	None	SP311-U, SPL311
<i>FLY WHEEL</i>					
12310-14600	Ass'y-Flywheel	1	12310-37000	None	SP311-U, SPL311
<i>VALVE MECHANISM</i>					
11098-14600	Insert-Valve intake	4	Newly	-	SP311-U, SPL311
11099-14600	Insert-Valve exhaust	4	Newly	-	SP311-U, SPL311
13200-14600	Ass'y-Gear, valve	1	13200-12200	None	SP311-U, SPL311
13205-14600	Seat-Valve, spring outer	8	Newly	-	SP311-U, SPL311
13206-14600	Seat-Valve, spring inner	8	Newly	-	SP311-U, SPL311
13212-14600	Guide-Valve, intake	4	Newly	-	SP311-U, SPL311
13213-14600	Guide-Valve, exhaust	4	Newly	-	SP311-U, SPL311
13214-14600	Ring-samp, valve guide	8	Newly	-	SP311-U, SPL311
<i>VALVE ROCKER COVER</i>					
13265-12201	Cover-Valve, rocker	1	13265-12200	Yes	SP311-U, SPL311

Part No.	Description	Q'ty per Section	Former Part No.	Interchangeability	Applied Model
----------	-------------	------------------	-----------------	--------------------	---------------



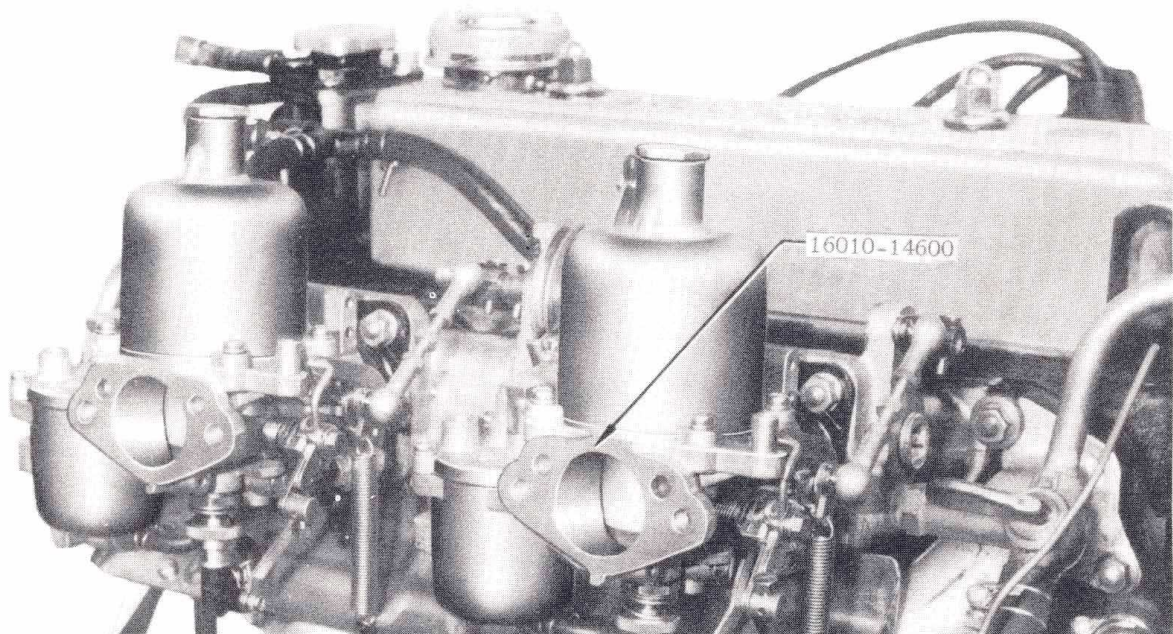
Part No.	Description	Q'ty per Section	Former Part No.	Interchangeability	Applied Model
----------	-------------	------------------	-----------------	--------------------	---------------

MANIFOLD

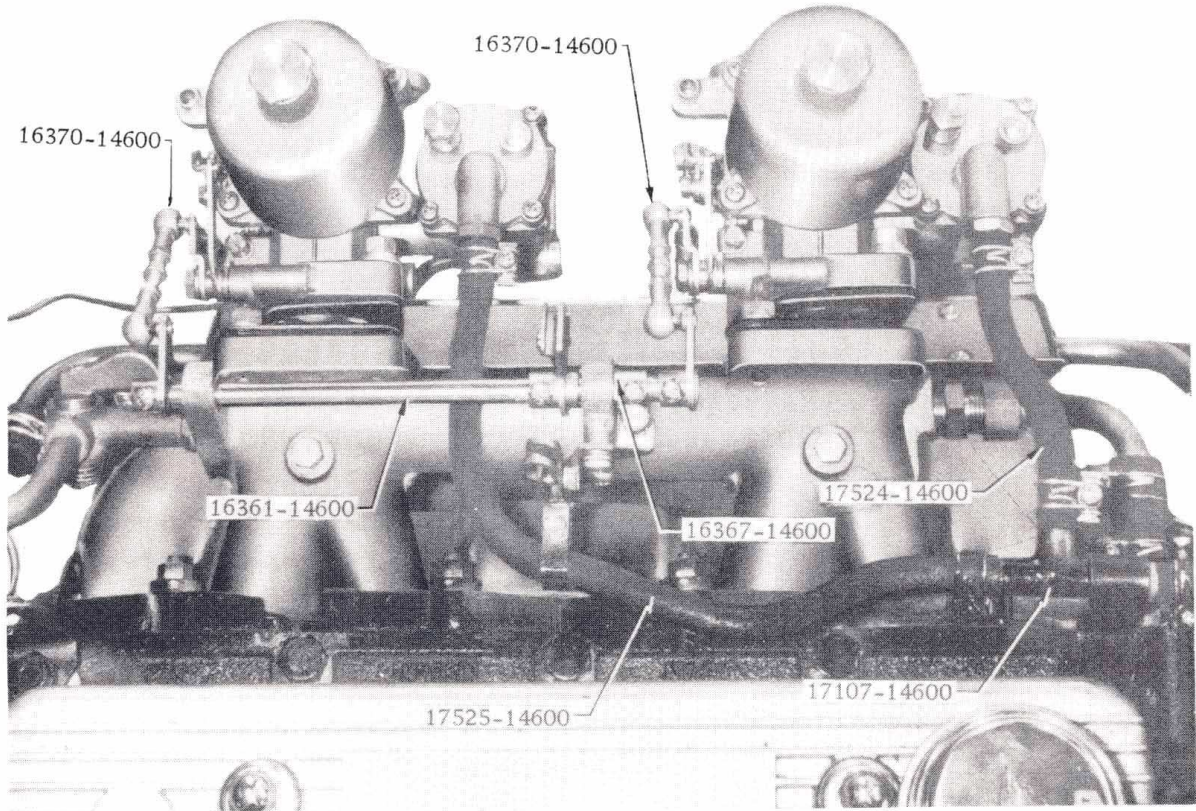
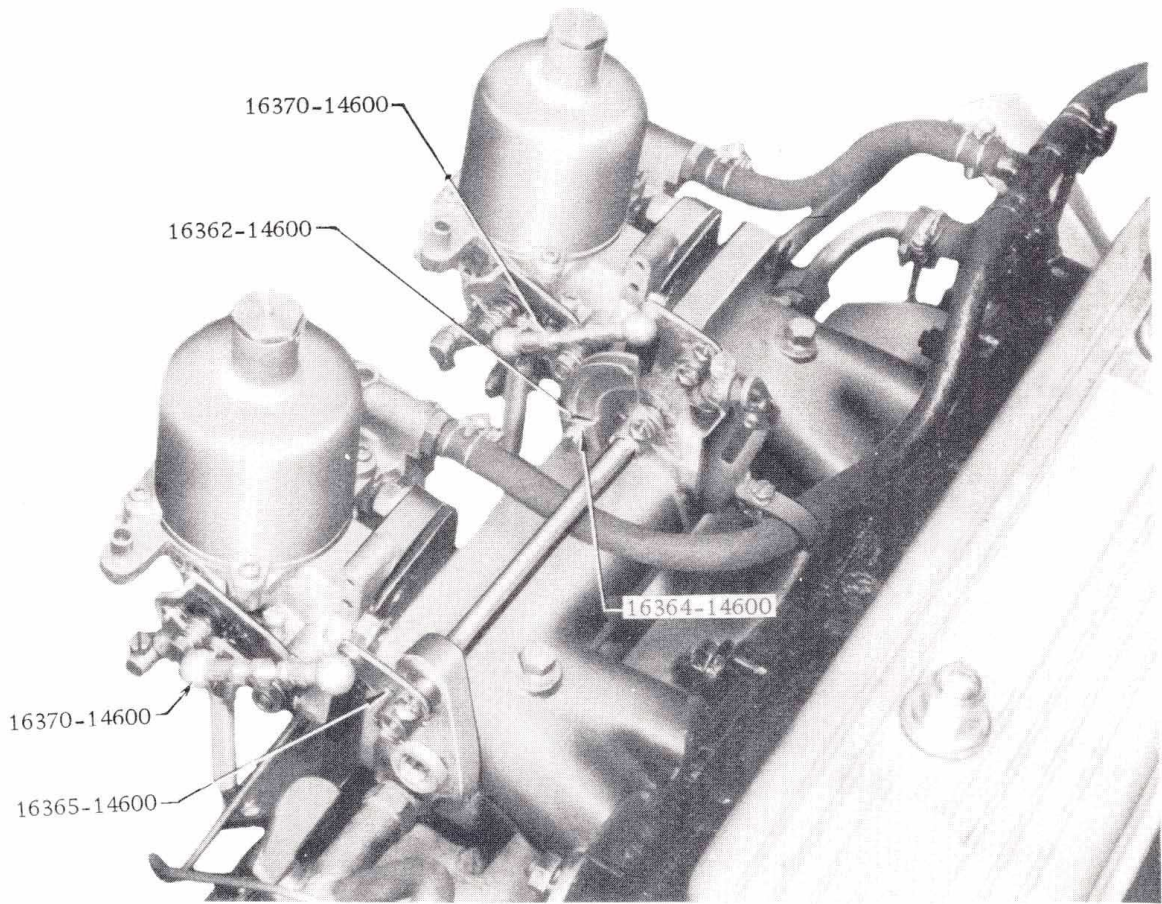
14002-14600	Ass'y-Manifold intake	1	14002-12200	None	SP311-U, SPL311
14016-14600	Bush-Auxiliary shaft, main	2	Newly	-	SP311-U, SPL311
14034-14600	Collar-Intake manifold	2	14034-32200	None	SP311-U, SPL311
14035-14600	Gasket-Manifold to cyl. head	1	14035-71200	Yes	SP311-U, SPL311
14057-14600	Connector-Cyl. head, water	1	14057-12200	None	SP311-U, SPL311
14330-14600	Plate-Head shield, carburetor	1	14330-12201	None	SP311-U, SPL311

CARBURETOR

16010-14600	Ass'y-Carburetor, twin	1	16010-12201	None	SP311-U, SPL311
16174-14600	Insulator-Carburetor	2	16174-12203	None	SP311-U, SPL311
16175-14600	Gasket-Insulator carburetor	4	16175-10600	None	SP311-U, SPL311



Part No.	Description	Q'ty per Section	Former Part No.	Interchangeability	Applied Model
----------	-------------	------------------	-----------------	--------------------	---------------



Part No.	Description	Q'ty per Section	Former Part No.	Interchangeability	Applied Model
----------	-------------	------------------	-----------------	--------------------	---------------

ACCELERATOR

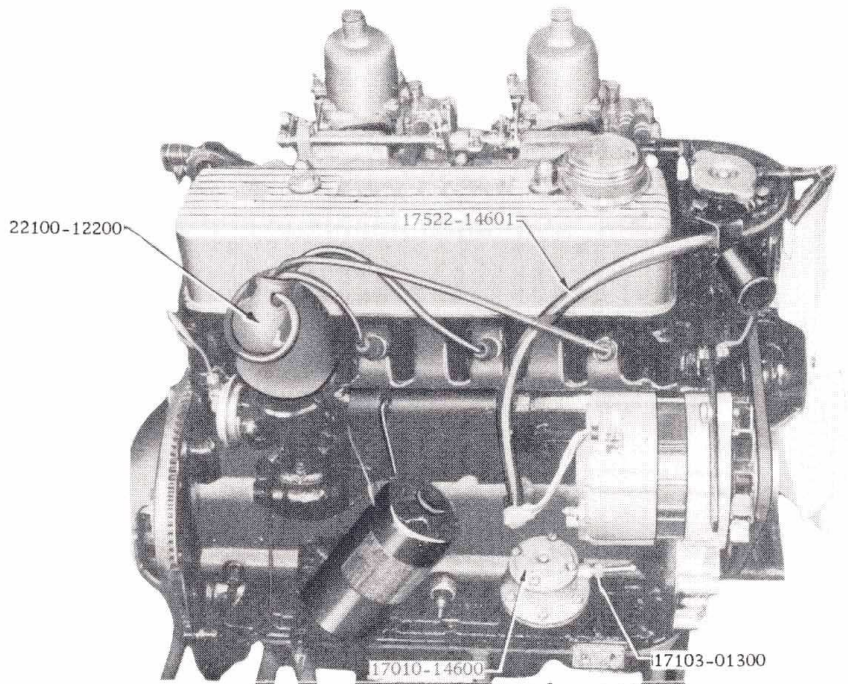
16360-14600	Ass'y-Link, throttle	1	16360-12200	None	SP311-U, SPL311
16361-14600	Shaft-Throttle, auxiliary	1	16361-12200	None	SP311-U, SPL311
16362-14600	Ass'y-Drum, throttle	1	16362-12200	None	SP311-U, SPL311
16364-14600	Clip-Wire, throttle	1	16364-12200	None	SP311-U, SPL311
16365-14600	Arm- Throttle	1	16365- 12200 16366-12200	None	SP311-U, SPL311
16367-14600	Arm-Throttle, adjust screw	1	16367-12200	None	SP311-U, SPL311
16370-14600	Ass'y-Rod, connecting	1	16370-12200	None	SP311-U, SPL311
16371-14600	Cup-Ball, joint	2	16371-12200	None	SP311-U, SPL311
16372-14600	Cup- Ball, joint	2	16372-12200	None	SP311-U, SPL311
16373-14600	Buckle- Turn, con' rod	2	16373-12200	None	SP311-U, SPL311
16374-14600	Nut- Turn buckle	2	16374-12200	None	SP311-U, SPL311
16375-14600	Nut- Turn buckle	2	16375-12200	None	SP311-U, SPL311
16378-14600	Spring-Adjust screw	1	Newly	-	SP311-U, SPL311
16379-14600	Screw- Throttle, adjust	1	Newly	-	SP311-U, SPL311
16380-14600	Ass'y-Bracket accele. wire	1	16376-12900	None	SP311-U, SPL311

FUEL PUMP

17010-14600	Ass'y-Pump, fuel	1	17010-12201	None	SP311-U, SPL311
17106-14601	Clamp- Tube, pump to connector	1	17106-12200	None	SP311-U, SPL311
17107-14600	Connector- Fuel pump to carb.	1	17107-12200	None	SP311-U, SPL311
17099-72600	Packing- Fuel pump	2	17099-30000	None	SP311-U, SPL311
16420-72600	Spacer- Fuel pump to eyl. block	1	16420-30000	None	SP311-U, SPL311

Part No.	Description	Q'ty per Section	Former Part No.	Interchangeability	Applied Model
----------	-------------	------------------	-----------------	--------------------	---------------

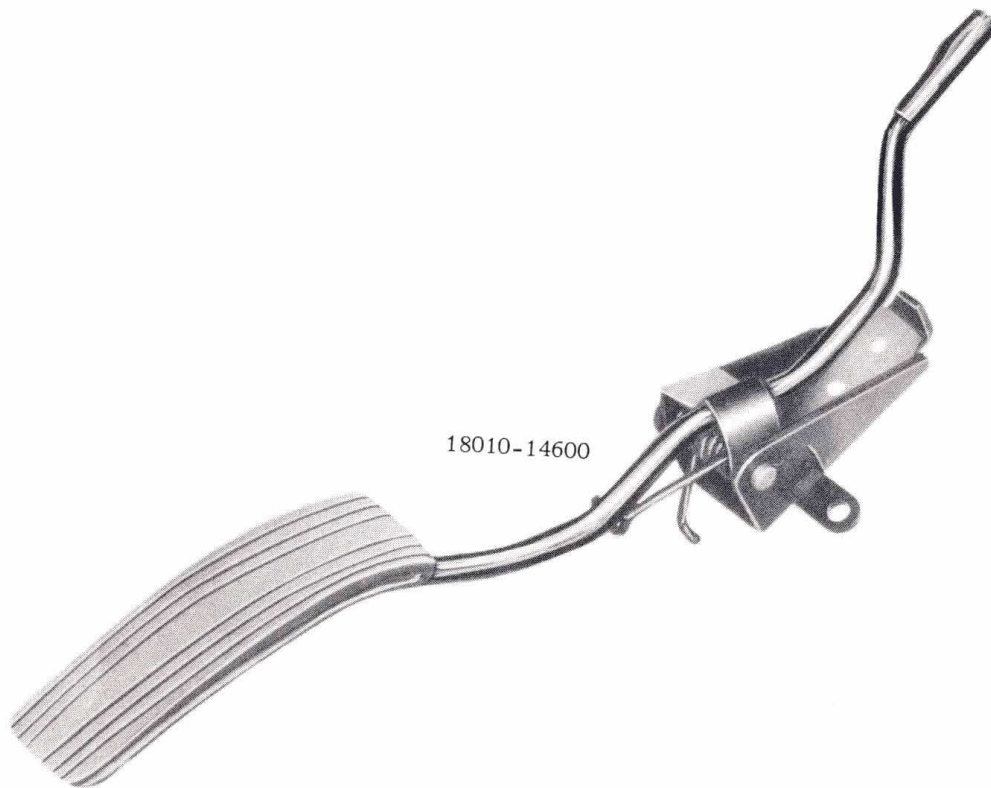
17525-14600	Tube-Fuel, rear	1	17525-12200	None	SP311-U, SPL311
-------------	-----------------	---	-------------	------	--------------------



FUEL TANK

17201-14601	Ass'y-Tank, fuel	1	17201-14600	None	SP311-U
17406-14600	Band ass'y, gas tank mounting	2	17406-10400	Yes	SP311-U, SPL311
17425-14600	Bolt-Band gas tank, rear	2	17425-10400	Yes	SP311-U, SPL311
17502-14600	Tube-Connector to strainer	1	17502-12900	None	SP311-U, SPL311
17503-14600	Tube-Fuel to connector	1	17503-12900	None	SP311-U, SPL311
17506-14600	Tube-Conduit	1	17506-10400	None	SP311-U, SPL311
17522-14601	Ass'y-Tube, pump to connector	1	17522-12201	None	SP311-U, SPL311
17524-14600	Tube-Fuel, front	1	17324-12200	None	SP311-U, SPL311

Part No.	Description	Q'ty per Section	Former Part No.	Interchangeability	Applied Model
----------	-------------	------------------	-----------------	--------------------	---------------



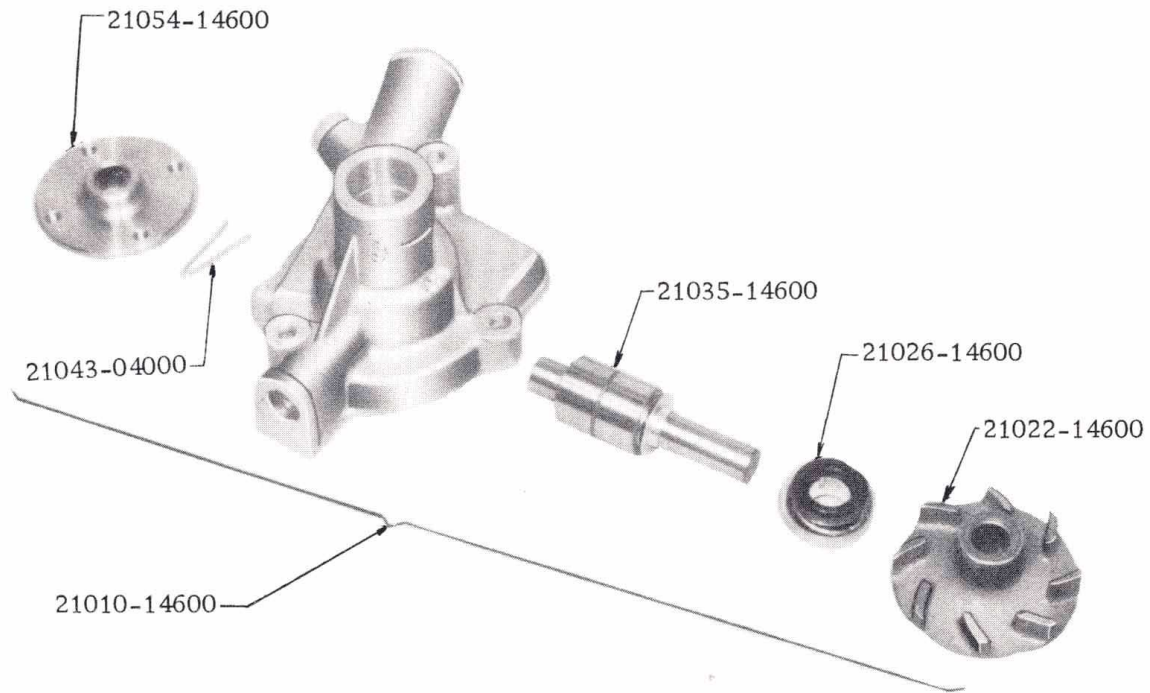
ACCELERATOR PEDAL

18010-14600	Ass'y-Pedal, accele	1	18010-12900	None	SP311-U
18010-14700	Ass'y-Pedal, accele	1	18010-12300	None	SPL311
18017-15800	Pad-pedal, accele	1	46431-04100	None	SP311-U, SPL311
18128-14600	Clamp-accele wire	1	Newly	-	SP311-U, SPL311
18138-14700	Spring-return, accele	1	18138-12300	Yes	SPL311

CHOKE WIRE

18410-14600	Comp-Wire, choke	1	18410-12900	None	SP311-U
-------------	------------------	---	-------------	------	---------

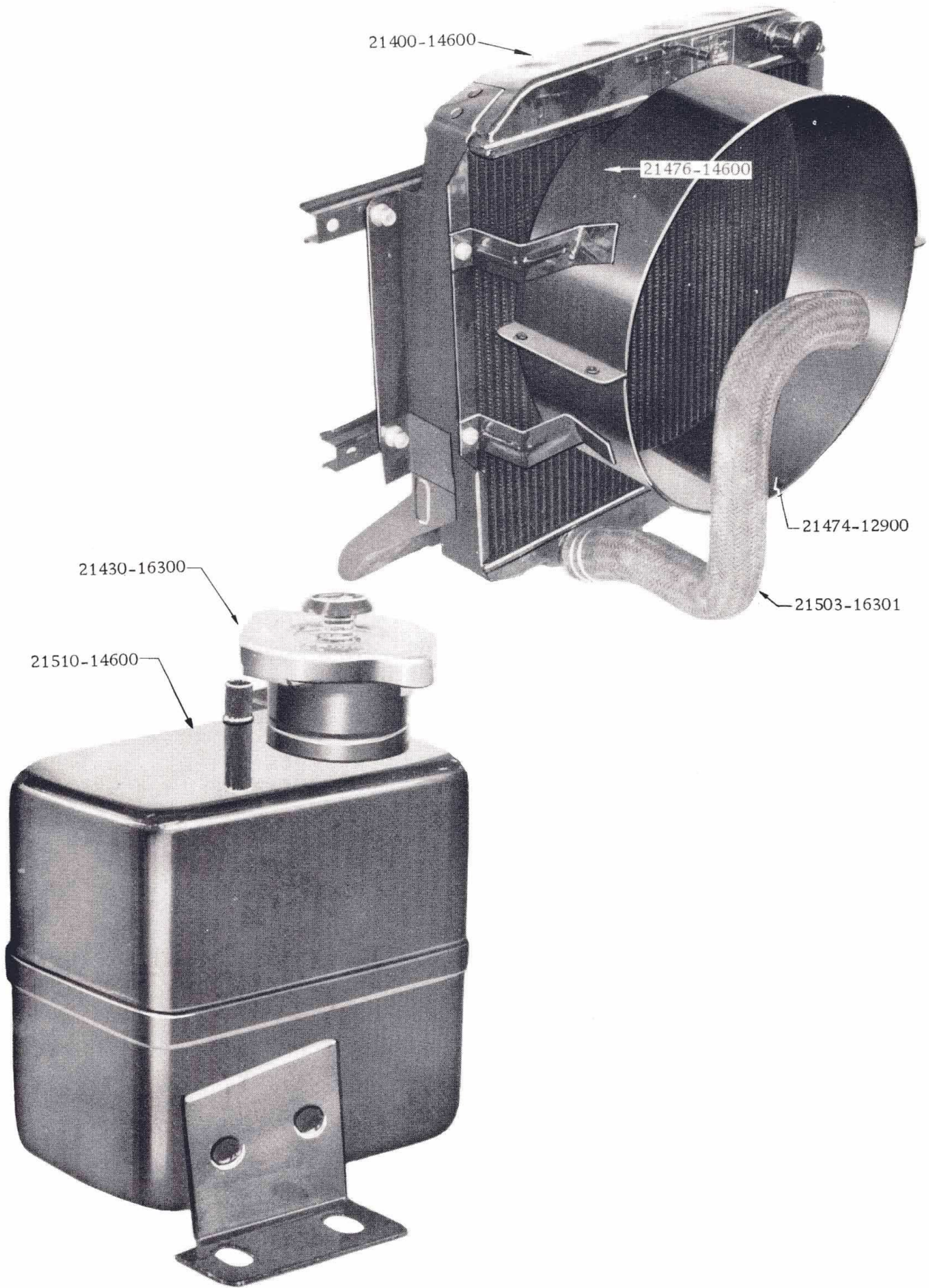
Part No.	Description	Q'ty per Section	Former Part No.	Interchangeability	Applied Model
----------	-------------	------------------	-----------------	--------------------	---------------



WATER PUMP

21010-14600	Ass'y-Pump, water	1	21010-38700	Yes	SP311-U, SPL311
21013-14600	Cover-Water pump	1	21013-61000	None	SP311-U, SPL311
21014-14600	Gasket-Pump body side	1	21014-61000	None	SP311-U, SPL311
21022-14600	Vane-Water pump	1	21022-38700	None	SP311-U, SPL311
21026-14600	Ass'y-Seal, water pump	1	21026-38700	None	SP311-U, SPL311
21035-14600	Bearing-Water pump	1	21035-32200	None	SP311-U, SPL311
21054-14600	Hub-Water pump, pulley	1	21054-32200	None	SP311-U, SPL311
21074-14600	Gasket-Pump, block side	1	21074-61000	None	SP311-U, SPL311

Part No.	Description	Q'ty per Section	Former Part No.	Interchangeability	Applied Model
----------	-------------	------------------	-----------------	--------------------	---------------



Part No.	Description	Q'ty per Section	Former Part No.	Interchangeability	Applied Model
----------	-------------	------------------	-----------------	--------------------	---------------

RADIATOR

21400-14600	Ass'y-Radiator	1	21400-12200	None	SP311-U
21430-14601	Ass'y-Cap, radiator, (Water-Outlet)	1	Newly	-	SP311-U, SPL311
21430-16300	Ass'y-Cap, radiator, (Reservoir)	1	Newly	-	SP311-U, SPL311
21211-12601	Cock-Drain, radiator	1	21211-00800	Yes	SP311-U, SPL311
21474-12900	Ass'y-Shroud, radiator	1	21475-12201	Yes	SP311-U, SPL311
21476-14600	Guide-air	1	Newly	-	SP311-U
21501-14700	Hose-Cyl. head to radiator	1	Newly	-	SPL311
21501-16300	Hose-Cyl. head to radiator	1	Newly	-	SP311-U
21503-16301	Hose-Pump to radiator	1	21503-12201	None	SP311-U
21503-14701	Hose-Pump to radiator	1	21503-12201	None	SPL311
21510-14600	Ass'y-Tank, reservoir	1	Newly	-	SP311-U
21515-14600	Hose-tank to radiator	1	Newly	-	SP311-U
21515-14700	Hose-Tank to radiator	1	Newly	-	SPL311
21516-16300	Hose-Breather, radiator	1	Newly	-	SP311-U, SPL311

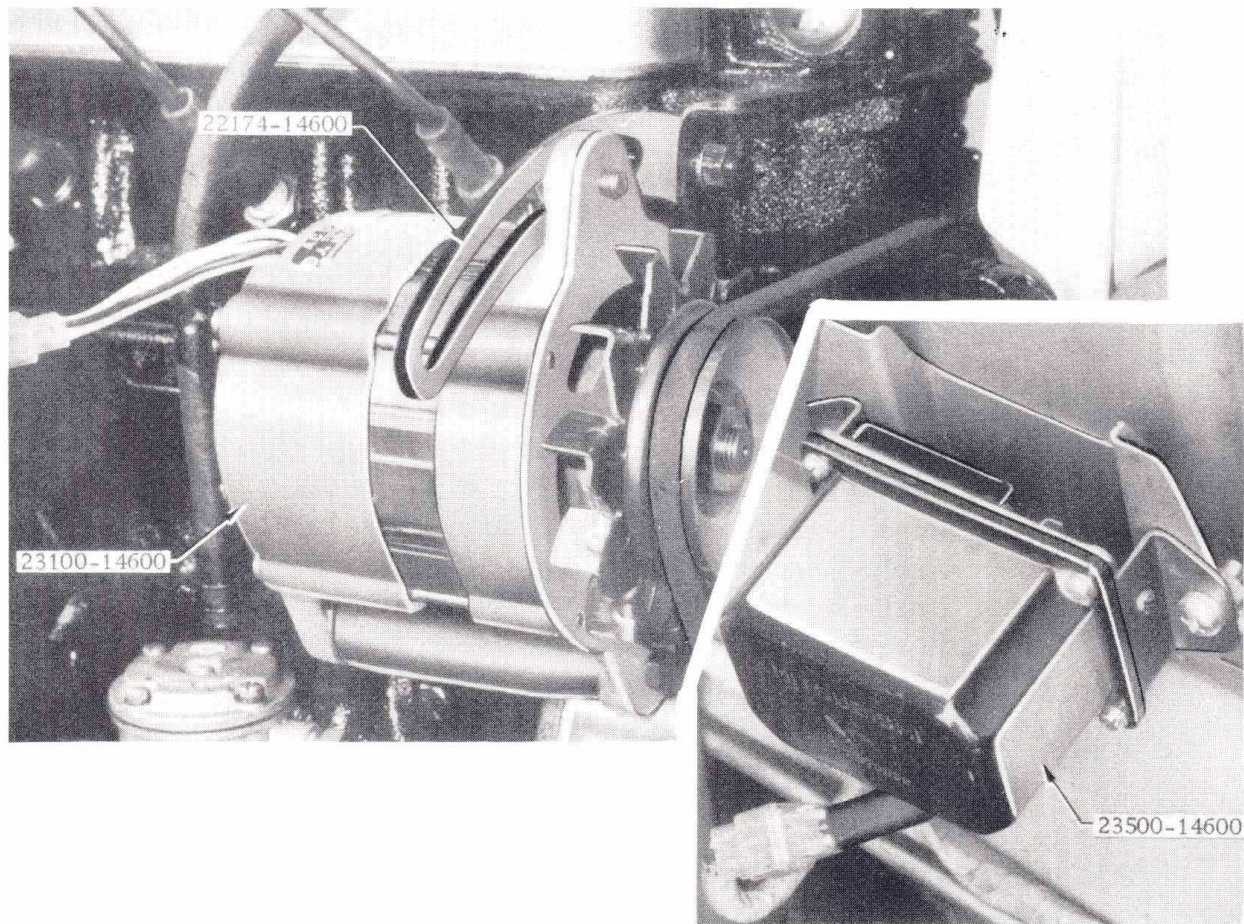
ENGINE MOUNTING

11328-14600	Comp.-Mounting, engine rear	1	11328-08000	None	SP311-U, SPL311
-------------	-----------------------------	---	-------------	------	--------------------

ALTERNATOR

23100-14600	Alternator 12V-28A (Mitsubishi)	1	23100-12200	None	SP311-U, SPL311
23174-14600	Bar-Adjusting, generator	1	23174-12200	None	SP311-U, SPL311
23500-14600	Regulator-Voltage (Mitsubishi)	1	23500-12200	None	SP311-U, SPL311

Part No.	Description	Q'ty per Section	Former Part No.	Interchangeability	Applied Model
----------	-------------	------------------	-----------------	--------------------	---------------



DISTRIBUTOR

22100-14600	Ass'y-Distributor	1	22100-12200	None	SP311-U, SPL311
22177-14600	Ass'y-Support distributor	1	22177-10400	None	SP311-U, SPL311
22433-14600	Coil- Ignition 12V HITACHI	1	22433-31300	None	SP311-U, SPL311
22450-14600	Ass'y-Cable coil to dist.	1	22450-10401	None	SP311-U
			22450-58001	None	SP311-U
22450-32201	Ass'y-Cable coil to dist.	1	22450-10401	None	SPL311
22460-14600	Register-Ignition coil HITACHI	1	Newly	-	SPL311

Part No.	Description	Q'ty per Section	Former Part No.	Interchangeability	Applied Model
----------	-------------	------------------	-----------------	--------------------	---------------

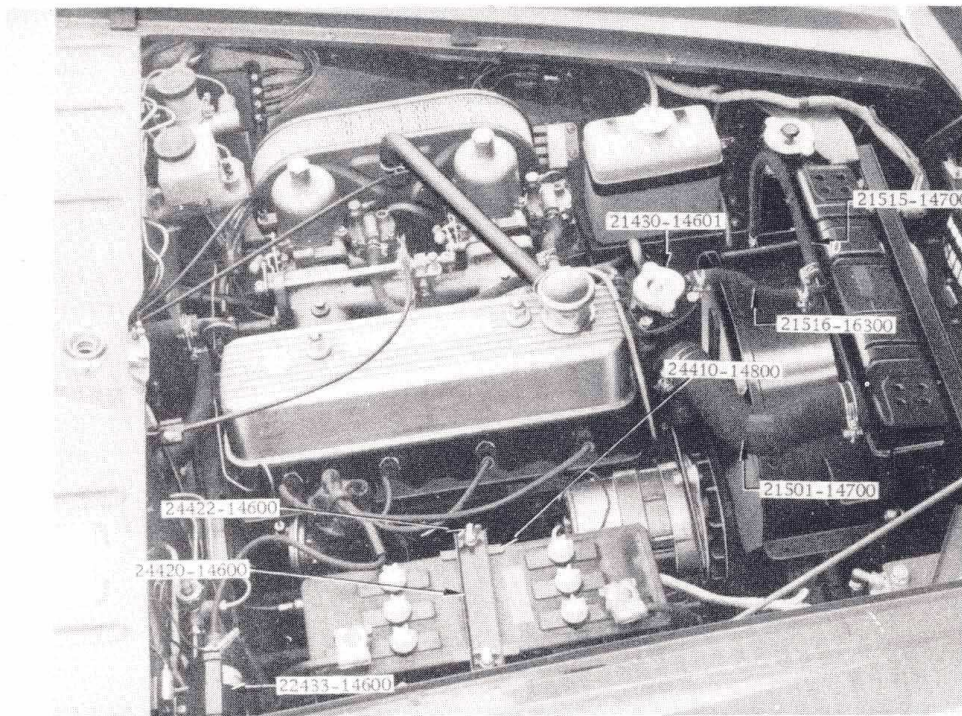
WIRING

24012-14600	Comp.-Cable, eng. room	1	24012-12900	None	SPL311, SP311-U
24013-14601	Comp.-Cable, inst	1	24013-12900	None	SP311-U
24013-14701	Comp.-Cable, inst	1	24013-12900	None	SPL311
24017-14600	Ass'y-Cable, tank unit	1	24017-12900	None	SPL311, SP311-U
24018-14600	Ass'y-Cable, starter motor	1	Newly	-	SP311-U, SPL311
24080-14700	Ass'y-Cable, battery	1	24080-12900	None	SP311-U, SPL311
24016-14700	Ass'y-Cable, ignition	1	24016-14600	None	SPL311
24016-14601	Ass'y-Cable, ignition	1	Newly	-	SP311-U
24015-14600	Cover-High tension cord	1	24015-12900	Yes	SP311-U, SPL311
24019-14600	Hose-High tension cord	1	Newly	-	SP311-U, SPL311
24014-14600	Ass'y-Cable, chassis wiring	1	24014-10401	None	SP311-U
24014-14700	Ass'y-Cable, chassis	1	24014-10500	None	SPL311
24110-14700	Ass'y-Cable, starter motor	1	24110-12900	None	SP311-U, SPL311
24149-14600	Ass'y-Cable, reverse lamp	1	24149-10400	None	SP311-U, SPL311

BATTERY

24410-14800	Battery 12V-40AH	1	24410-09400	None	SP311-U, SPL311
24420-14600	Frame-Battery box	1	24450-11200	None	SP311-U, SPL311
24422-14600	Rod-Battery box battery	1	24422-35001	None	SP311-U, SPL311
24428-14600	Tray-Battery	1	24428-09400	None	SP311-U, SPL311
24450-14600	Clamp ass'y battery	1	Newly	-	SP311-U, SPL311

Part No.	Description	Q'ty per Section	Former Part No.	Interchangeability	Applied Model
----------	-------------	------------------	-----------------	--------------------	---------------



ELECTRIC PARTS

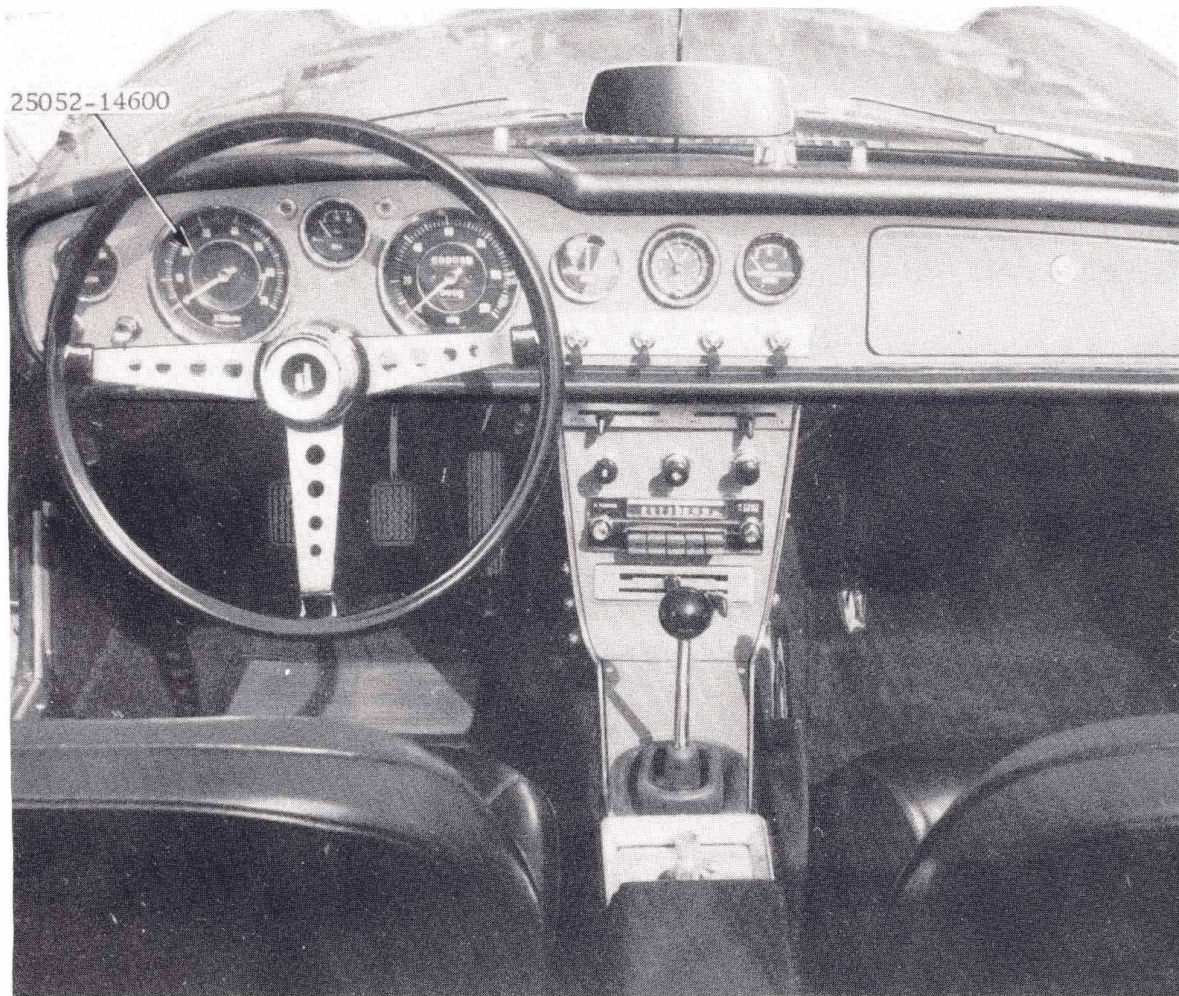
24860-14600	Gauge-Fuel dash unit	1	25060-12900	None	SP311-U, SPL311
24880-14600	Gauge-Water temp' dash (Km area)	1	25080-12900	None	SP311-U, SPL311
24880-14700	Gauge-Water temp' dash (Mile area)	1	20580-13000	None	SP311-U, SPL311
25020-14600	Ass'y-Regulator, dash	1	Newly	-	SP311-U, SPL311
25060-14600	Gauge-Tank unit	1	17291-10400	None	SP311-U, SPL311
25260-14600	Switch wiper	1	25260-12900	None	SP311-U
25310-14600	Comp-Switch rev' lamp	1	25310-10400	None	SP311-U, SPL311
25410-14600	Ass'y-Block, fuse	1	25410-12900	None	SP311-U, SPL311
25412-14600	Cover-Fuse	1	25412-12900	None	SP311-U, SPL311
26310-16300	Ass'y-Horn electric (High)	1	26310-38700	None	SP311-U, SPL311
26330-16300	Ass'y-Horn electric (Low)	1	26330-12200	None	SP311-U, SPL311

Part No.	Description	Q'ty per Section	Former Part No.	Interchangeability	Applied Model
----------	-------------	------------------	-----------------	--------------------	---------------

26320-14800	Ass'y-Relay, horn 12V	1	26320-89900	Yes	SP311-U, SPL311
-------------	-----------------------	---	-------------	-----	--------------------

METER

25052-14600	Ass'y-Tachometer	1	25052-12900	Yes	SP311-U, SPL311
25055-10602	Ass'y-Shaft speedometer	1	25055-12900	None	SP311-U
25055-14900	Ass'y-Shaft speedometer	1	25055-10602	None	SPL311



Part No.	Description	Q'ty per Section	Former Part No.	Interchangeability	Applied Model
----------	-------------	------------------	-----------------	--------------------	---------------

WINDSHIELD WIPER

26341-14600	Ass'y-Drive, w/s wiper lowd	1	26341-12900	Yes	SP311-U, SPL311
26350-14600	Ass'y-Motor, w/s wiper	1	26350-12900	Yes	SP311-U, SPL311
26352-14600	Ass'y-Linkage Y bracket	1	Newly	-	SP311-U, SPL311
26360-12900	Ass'y-Arm, w/s wiper, w/blade RH	1	26360-14600	Yes	SP311-U, SPL311
26361-12900	Ass'y-Arm, w/s wiper RH	1	26361-14600	Yes	SP311-U, SPL311
26365-12900	Ass'y-Arm, w/s wiper, w/blade LH	1	26365-14600	Yes	SP311-U, SPL311
26366-12900	Ass'y-Arm, w/s wiper LH	1	26366-14600	Yes	SP311, SPL311

ROOM HEATER

27010-14600	Kit-Heater, room	1	27010-12901	Yes	SP311-U
27010-14700	Kit-Heater, room	1	27010-13001	Yes	SPL311

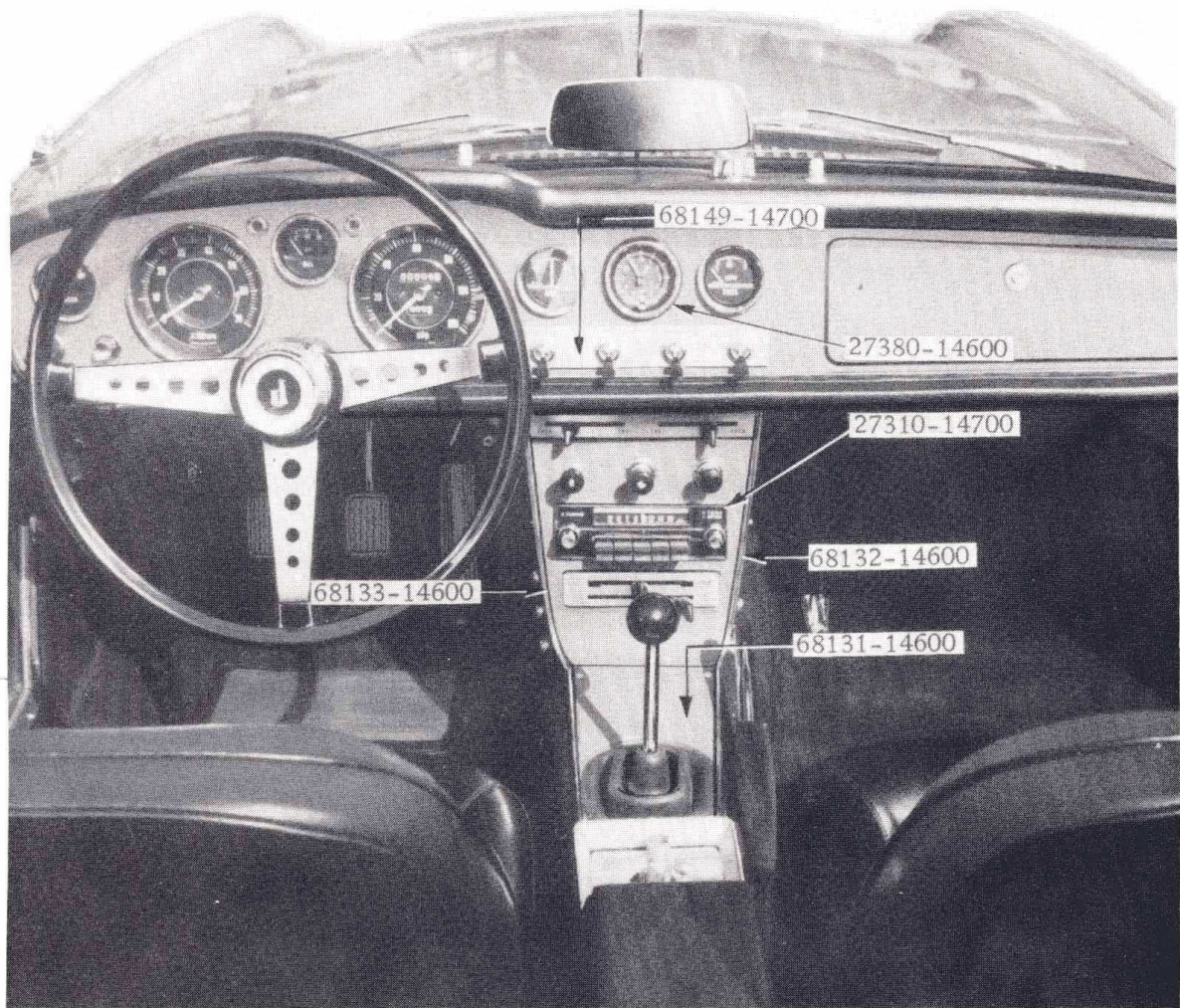
RADIO

27310-14600	Kit-Radio	1	27310-12901	None	SP311-U
27310-14700	Kit-Radio	1	27310-13001	None	SPL311

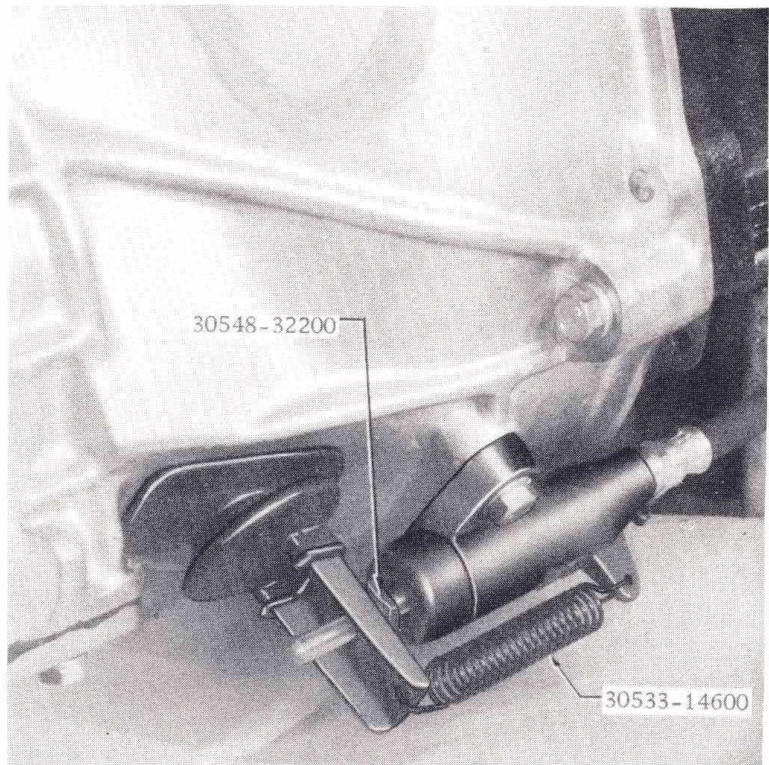
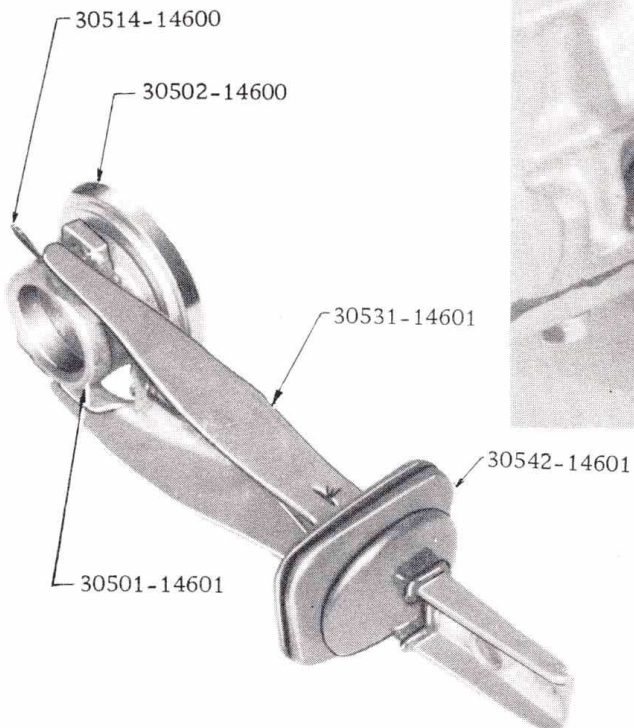
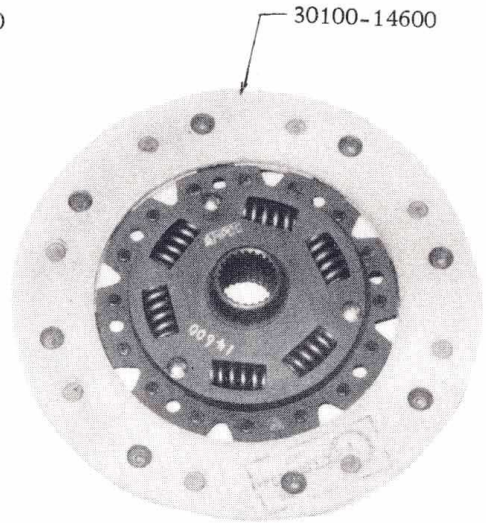
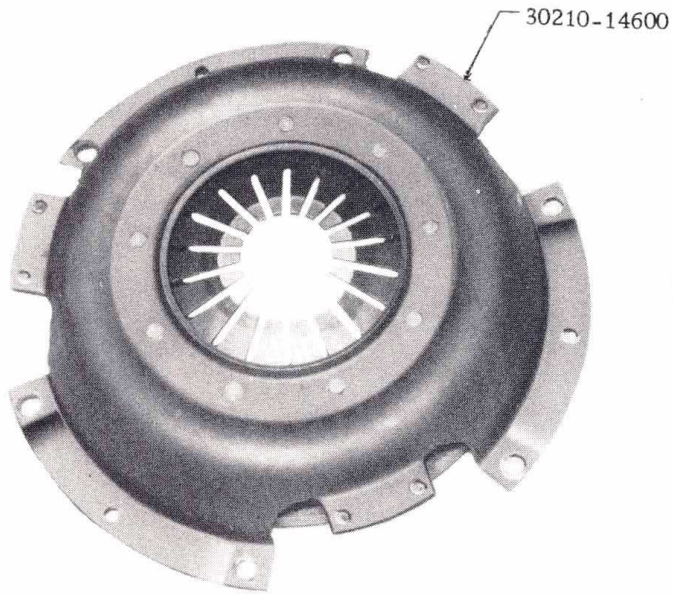
CLOCK

27380-14600	Set-Clock	1	27380-12900	None	SP311-U, SPL311
-------------	-----------	---	-------------	------	-----------------

Part No.	Description	Q'ty per Section	Former Part No.	Interchangeability	Applied Model
----------	-------------	------------------	-----------------	--------------------	---------------



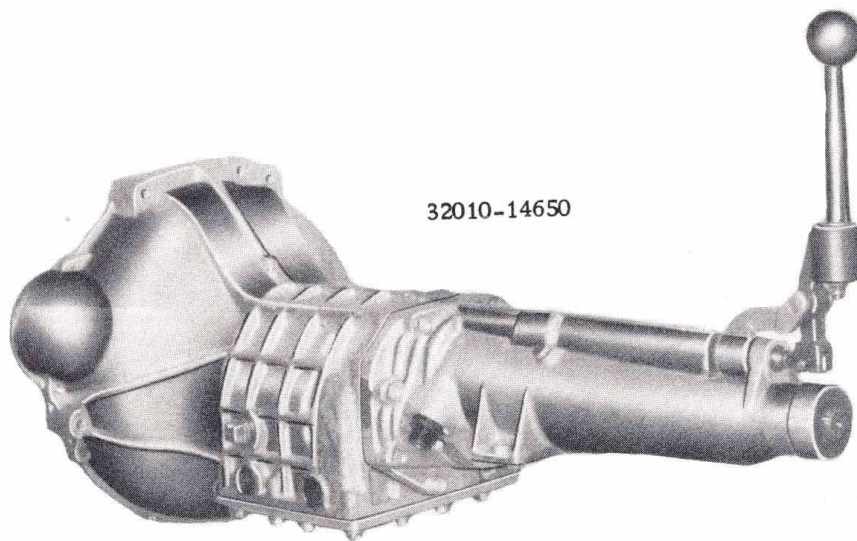
Part No.	Description	Q'ty per Section	Former Part No.	Interchangeability	Applied Model
----------	-------------	------------------	-----------------	--------------------	---------------



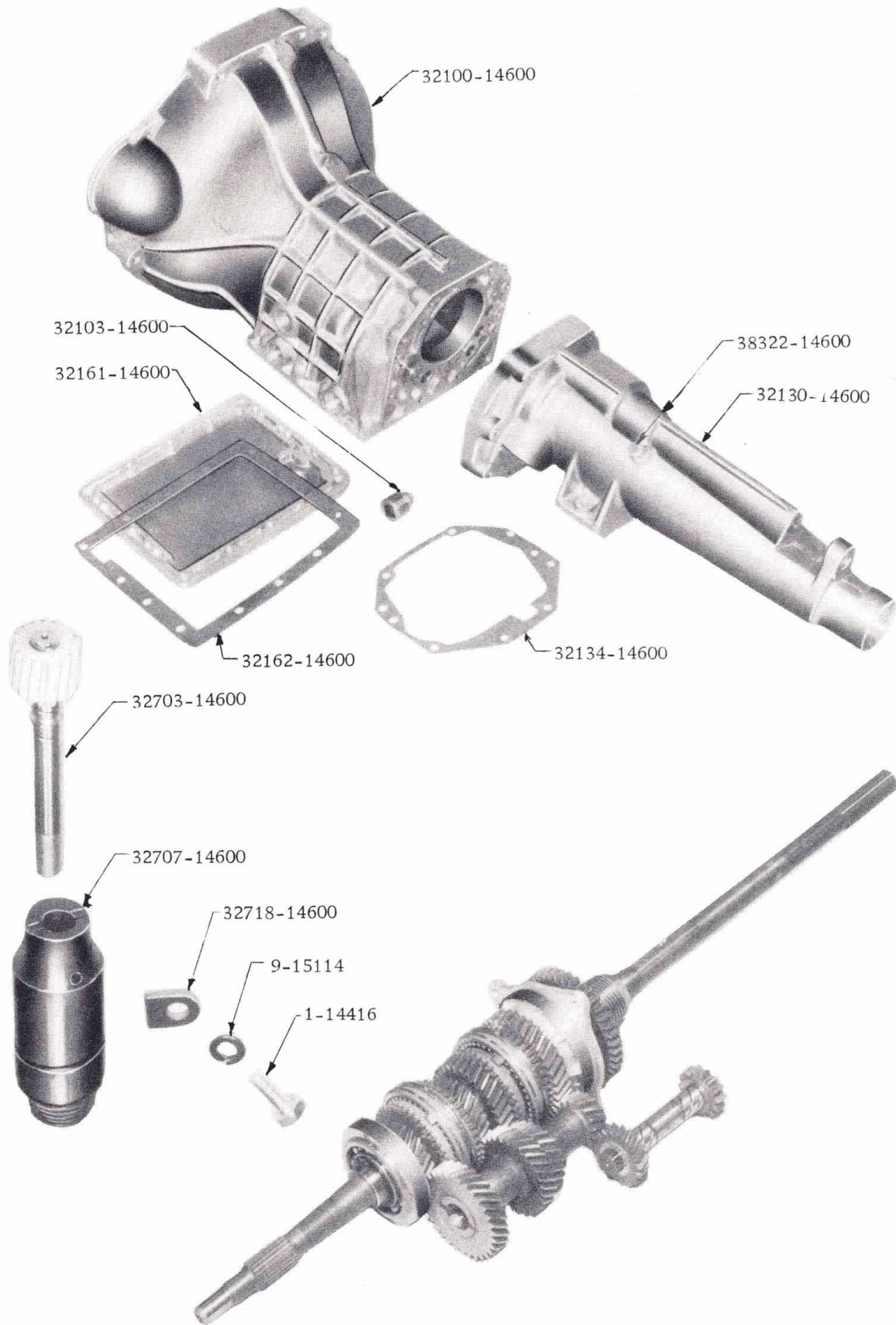
Part No.	Description	Q'ty per Section	Former Part No.	Interchangeability	Applied Model
----------	-------------	------------------	-----------------	--------------------	---------------

CLUTCH

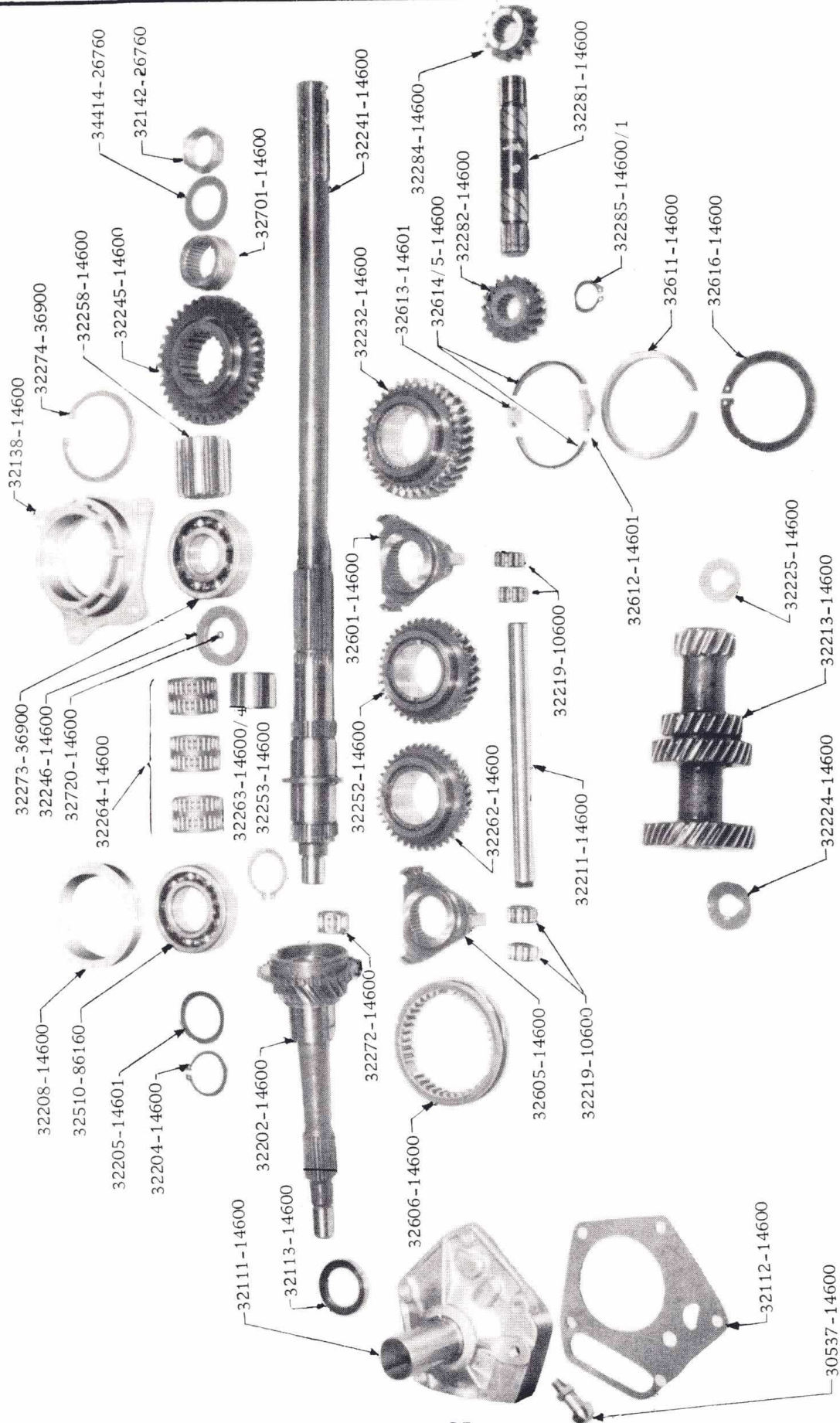
30100-14600	Ass'y-Disc, clutch	1	30100-32207	None	SP311-U, SPL311
30210-14600	Ass'y-Cover, clutch	1	30210-37001	None	SP311-U, SPL311
30501-14601	Sleeve-Bearing, clutch	1	30501-32200	None	SP311-U, SPL311
30502-14600	Bearing-Clutch release	1	30502-32200	None	SP311-U, SPL311
30514-14600	Spring-Holper, sleeve	1	30513-26760	None	SP311-U, SPL311
30531-14601	Lever-With drwal, clutch	1	30531-32200	None	SP311-U, SPL311
30531-14602			30531-14601	Yes	
30533-14600	Spring-Return, W/D lever	1	30533-32200	None	SP311-U, SPL311
30534-14601	Spring-Retainer, W/D lever	1	Newly	-	SP311-U, SPL311
30537-14600	Pin-Ball, W/D	1	30536-30002	None	SP311-U, SPL311
30542-14601	Cover-Dust, W/D lever	1	30534-30000	None	SP311-U, SPL311
30547-14600	Nut- Push, W/D lever	1	30547-32200	None	SP311-U, SPL311
30620-14600	Ass'y-Cylinder, clutch operating	1	30620-32200	None	SP311-U, SPL311
30650-14600	Ass'y-Tube, clutch master to hose	1	30650-10401	None	SP311-U, SPL311



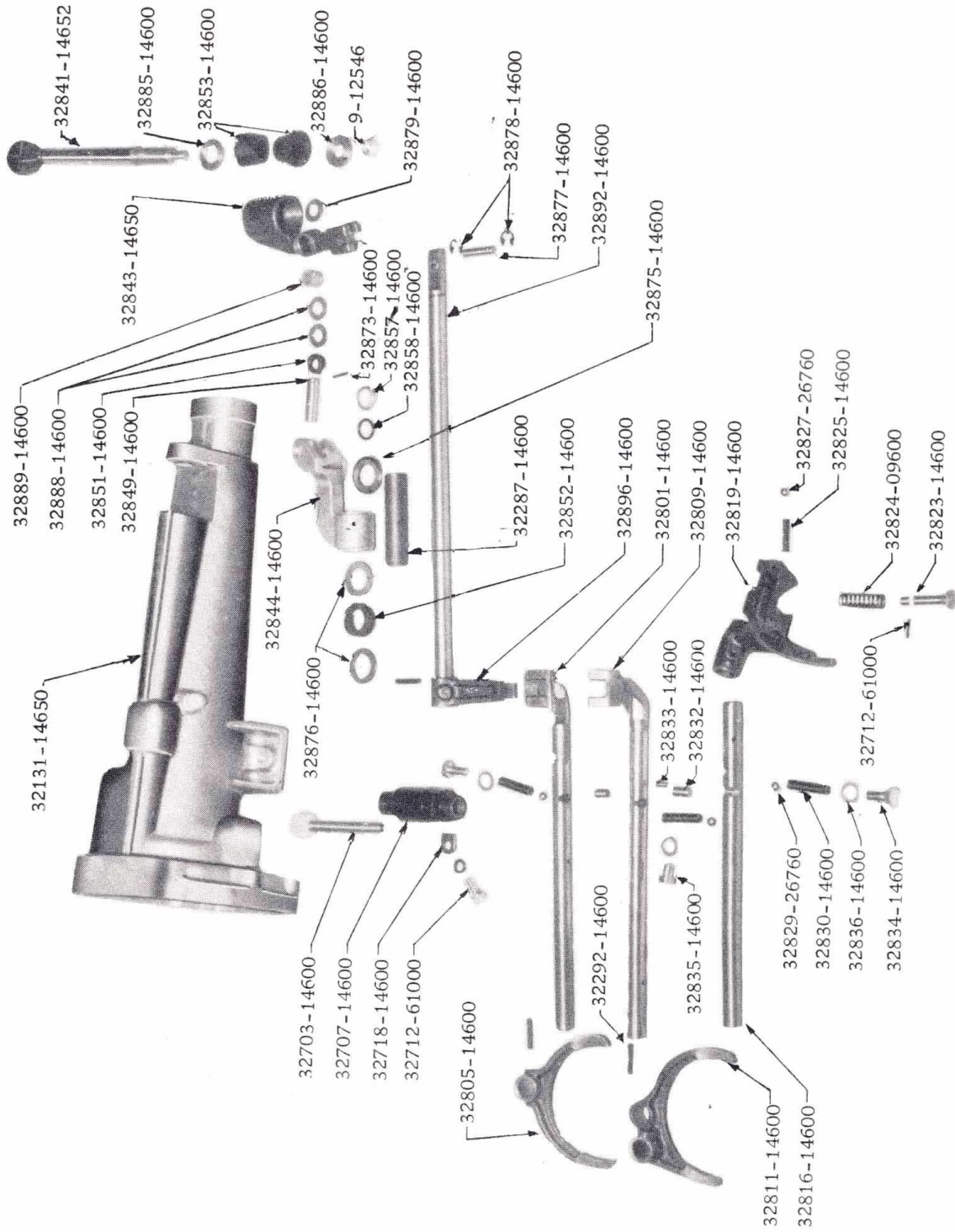
Part No.	Description	Q'ty per Section	Former Part No.	Interchangeability	Applied Model
----------	-------------	------------------	-----------------	--------------------	---------------



Part No.	Description	Q'ty per Section	Former Part No.	Interchangeability	Applied Model
----------	-------------	------------------	-----------------	--------------------	---------------



Part No.	Description	Q'ty per Section	Former Part No.	Interchangeability	Applied Model
----------	-------------	------------------	-----------------	--------------------	---------------



Part No.	Description	Q'ty per Section	Former Part No.	Interchangeability	Applied Model
<i>TRANSMISSION</i>					
32010-14650	Ass'y-Transmission	1	32010-12251	None	SP311-U, SPL311
32100-14600	Comp.-Case, T/M	1	32101-12250	None	SP311-U, SPL311
32103-14600	Ass'y-Plug, drain	1	32103-04100	None	SP311-U, SPL311
32104-14600	Plug-Drain	1	Newly	-	SP311-U, SPL311
32111-14600	Ass'y-Cover, front T/M	1	32111-32200	None	SP311-U, SPL311
32112-14600	Gasket-Front cover	1	32112-30800	None	SP311-U, SPL311
32113-14600	Seal-Oil, front cover	1	Newly	-	SP311-U, SPL311
32130-14600	Ass'y-Extension, rear	1	32130-08000	None	SP311-U, SPL311
32132-14600	Bush-Rear extension	1	32131-14650 32132-07200	Yes None	SP311-U, SPL311
32133-14600	Pin-Dowel R/extension	2	Newly	-	SP311-U, SPL311
32134-14600	Gasket-Rear extension	1	3234-01300	None	SP311-U, SPL311
32138-14600	Retainer-Bearing, main shaft	1	32121-09400 32124-26760	None	SP311-U, SPL311
32141-14600	Washer-Lock, main shaft	1	34414-24760	None	SP311-U, SPL311
32161-14600	Cover-Bottom, T/M case	1	32160-10450	None	SP311-U, SPL311
32162-14600	Gasket-Bottom, cover	1	32162-10400	None	SP311-U, SPL311
32202-14600	Comp.-Gear, main drive	1	32201-12201	None	SP311-U, SPL311
32203-14600	Bearing-Main drive gear	1	32203-26760	None	SP311-U, SPL311
32204-14600	Ring-Snap, main gear	1	32204-08000	Yes	SP311-U, SPL311
32205-14601	Washer- Main drive gear	1	32205-14600	Yes	SP311-U, SPL311
32208-14600	Retainer-Bearing, main drive	1	Newly	-	SP311-U, SPL311

Part No.	Description	Q'ty per Section	Former Part No.	Interchangeability	Applied Model
32211-14600	Shaft-Counter	1	32211-27161	None	SP311-U, SPL311
32213-14600	Gear-Counter	1	32213-12201	None	SP311-U, SPL311
32218-14600	Spacer-Counter shaft	2	32218-26760	None	SP311-U, SPL311
32224-14600	Washer-Thrust, counter front t = 1.5 \pm 0.2	1	32224-26760	None	SP311-U, SPL311
32225-14600	Washer-Thrust, counter, rear t = 2.5 -0.1	1	32226-26760	None	SP311-U, SPL311
32225-14601	Washer-Thrust, counter, rear t = 2.5 -0.05 -0.1	1	32227-26760	None	SP311-U, SPL311
32225-14602	Washer-Thrust, counter, rear t = 2.5 -0	1	32228-26760	None	SP311-U, SPL311
32225-14603	Washer-Thrust, counter, rear t = 2.5 +0.05 -0	1	32229-26760	None	SP311-U, SPL311
32225-14604	Washer-Thrust, counter, rear t = 2.5 +0.10 -0.05	1	Newly	-	SP311-U, SPL311
32232-14600	Comp.-Gear, 1st speed	1	32243-07200		SP311-U, SPL311
32241-14600	Shaft- Main	1	32241-07201	None	SP311-U, SPL311
32245-14600	Gear-Reverse main shaft	1	Newly	-	SP311-U, SPL311
32246-14600	Washer-Thrust, main shaft	1	32246-32200	None	SP311-U, SPL311
32252-14600	Com.-Gear, 2nd speed	1	Newly	-	SP311-U, SPL311
32253-14600	Bush-Main shaft, 1st gear	1	32253-26760	None	SP311-U, SPL311
32258-14600	Hub-Reverse, main shaft	1	Newly	-	SP311-U, SPL311
32262-14600	Com-Gear, 3rd speed	1	Newly	-	SP311-U, SPL311
32263-14600	Ring-Snap, synchro hub t = 1.5 -0.05 +0.10	1	Newly	-	SP311-U, SPL311
32263-14601	Ring-Snap, synchro hub t = 1.5 +0 -0.015	1	Newly	-	SP311-U, SPL311

Part No.	Description	Q'ty per Section	Former Part No.	Interchangeability	Applied Model
32263-14602	Ring-Snap, synchro hub t = 1.5 +0.05 -0	1	Newly	-	SP311-U, SPL311
32263-14603	Ring-Snap, synchro hub t = 1.5 +0.10 +0.05	1	Newly	-	SP311-U, SPL311
32263-14604	Ring-Snap, synchro hub t = 1.5 +0.15 +0.10	1	Newly	-	SP311-U, SPL311
32264-14600	Bearing-Needle, main shaft	3	32252-26761 32262-26761	None	SP311-U, SPL311
32272-14600	Bearing-Pilot, main shaft	1	32272-26760	None	SP311-U, SPL311
32281-14600	Shaft-Reverse idler	1	32281-09500	None	SP311-U, SPL311
32282-14600	Gear-Reverse, idler, counter	1	32280-27160	None	SP311-U, SPL311
32283-14600	Bush-Reverse idler shaft	2	Newly	-	SP311-U, SPL311
32284-14600	Gear-Reverse idler main	1	Newly	-	SP311-U, SPL311
32285-14600	Ring-Snap, reverse idler t = 2 -0 -0.05	1	32290-10600 32291-09400	None	SP311-U, SPL311
32285-14601	Ring-Snap, reverse idler t = 2 +0.2 +0.15	1	Newly	-	SP311-U, SPL311
32285-14602	Ring-Snap, reverse idler 1.3 ± 0.05	1	Newly	-	SP311-U, SPL311
32285-10603	Ring-Snap, reverse idler 1.5 ± 0.05	1	Newly	-	SP311-U, SPL311
32285-10604	Ring-Snap, reverse idler	1	Newly	-	SP311-U, SPL311
32292-14600	Ring-Retaining, fork	4	Newly	-	SP311-U, SPL311
32601-14600	Hub-Synchro, 1st & 2nd	1	32601-02700	None	SP311-U, SPL311
32605-14600	Hub-Synchro, 3rd & 4th	1	32605-02700	None	SP311-U, SPL311
32606-14600	Sleeve-Coupling	2	32606-02700	None	SP311-U, SPL311
32611-14600	Ring-Synchronizer	4	Newly	-	SP311-U, SPL311

Part No.	Description	Q'ty per Section	Former Part No.	Interchangeability	Applied Model
32612-14601 32612-14602	Block-Thrust 2nd 3rd & 4th	3	Newly	-	SP311-U, SPL311
32613-14601	Block-Anchor 2nd 3rd & 4th	3	Newly	-	SP311-U, SPL311
32614-14600	Band-Brake, 2.5 t	7	Newly	-	SP311-U, SPL311
32615-14600	Band-Brake, 2.2 t	8	Newly	-	SP311-U, SPL311
32616-14600	Circlip	4	Newly	-	SP311-U, SPL311
32617-14601	Block-Thrust 1st	1	Newly	-	SP311-U, SPL311
32701-14600	Gear-Drive, Speedometer	1	32701-10400	None	SP311-U, SPL311
32618-14601	Block-Anchor 1st	1	Newly	-	SP311-U, SPL311
32703-14600	Ass'y-Pinion, speedometer (17 T)	1	32703-10400	None	SP311-U, SPL311
32707-14600	Ass'y-Sleeve speedometer pinion	1	32707-04100	None	SP311-U, SPL311
32709-14600	Seal-Oil speedometer pinion	1	32709-04100	None	SP311-U, SPL311
32710-14600	Ring "O" pinion sleeve	1	32710-04100	None	SP311-U, SPL311
32717-14600	Retainer-Oil seal sleeve	1	32717-04100	None	SP311-U, SPL311
32718-14600	Plate-Lock, sleeve	1	32718-04103	None	SP311-U, SPL311
32720-14600	Ball-Steel	1	Newly	-	SP311-U, SPL311
32730-71802	Adapter-Speedometer	1	32730-71800	Yes	SP311-U, SPL311
32801-14600	Comp-Rod, fork, 1st & 2nd	1	32801-03200	None	SP311-U, SPL311
32805-14600	Fork-Shaft, 1st & 2nd	1	32805-03200	None	SP311-U, SPL311
32809-14600	Rod-Fork, 3rd & 4th	1	32809-03200	None	SP311-U, SPL311
32811-14600	Fork-Shift, 3rd & 4th	1	32811-03200 32813-03200	None	SP311-U, SPL311
32816-14600	Rod-Fork, reverse	1	32816-03200	None	SP311-U, SPL311

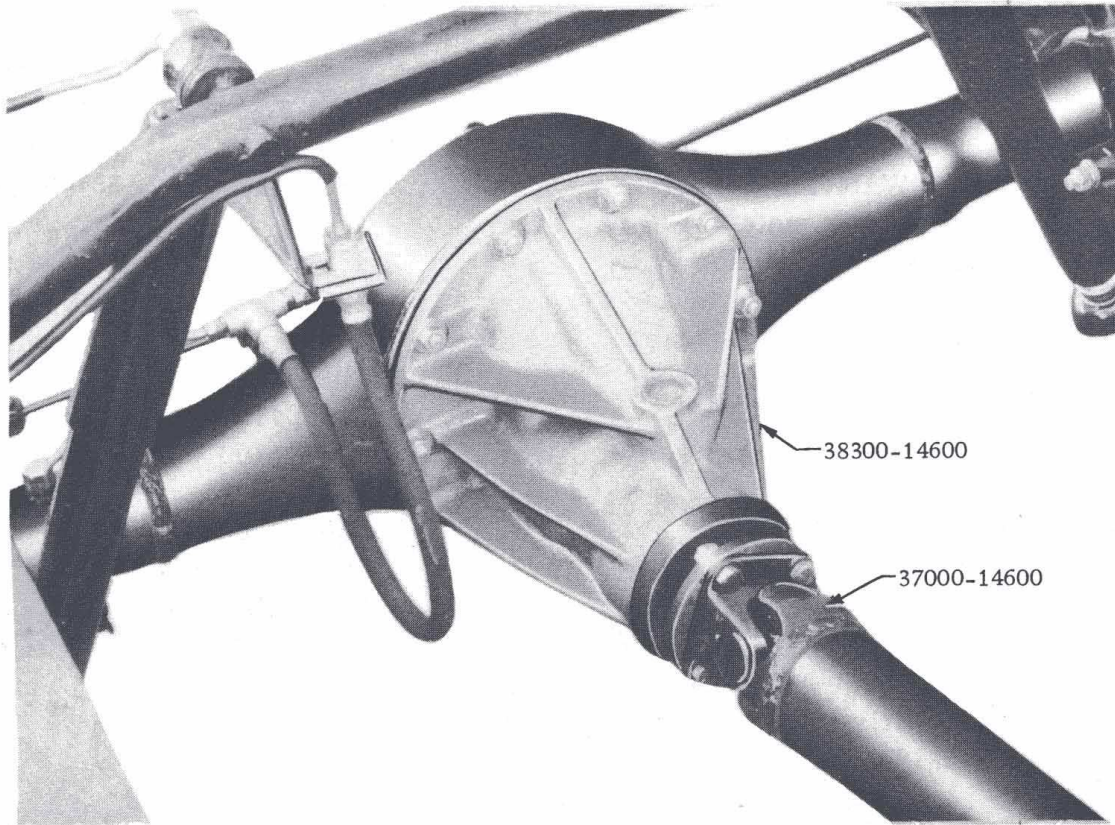
Part No.	Description	Q'ty per Section	Former Part No.	Interchangeability	Applied Model
32819-14600	Fork-Shift, reverse	1	32819-03200	None	SP311-U, SPL311
32823-14600	Pin-Reverse fork	1	32823-03200	None	SP311-U, SPL311
32825-14600	Spring-Check, reverse fork	8	32825-26761	None	SP311-U, SPL311
32830-14600	Spring-Check, ball	3	32830-03200	None	SP311-U, SPL311
32832-14600	Plunger-Inter lock	1	Newly	-	SP311-U, SPL311
32833-14600	Pin-Inter lock	1	32826-03200	None	SP311-U, SPL311
32834-14600	Plug-Checking ball	2	32167-03200	None	SP311-U, SPL311
32835-14600	Plug-Checking ball	1	32168-03200	None	SP311-U, SPL311
32836-14600	Washer-Plain	1	Newly	-	SP311-U, SPL311
32841-14652	Lever-Control	1	32842-10400	None	SP311-U, SPL311
32843-14650	Ass'y-Bracket, lever	1	32843-04700	None	SP311-U, SPL311
32844-14600	Arm-Control	1	Newly	-	SP311-U, SPL311
32849-14600	Pin-Control arm	1	Newly	-	SP311-U, SPL311
32851-14600	Spring-Control	1	Newly	-	SP311-U, SPL311
32852-14600	Spring-Striking	1	Newly	-	SP311-U, SPL311
32853-14600	Rubber-Control lever	2	Newly	-	SP311-U, SPL311
32857-14600	Cap-Ring "O"	1	Newly	-	SP311-U, SPL311
32858-14600	Ring-"O", striking rod	1	Newly	-	SP311-U, SPL311
32865-14600	Knob-Control lever	1	32865-12400	None	SP311-U, SPL311
32869-14602	Shield-Dust, Change lever	1	32869-12901 32869-14601	None Yes	SP311-U, SPL311
32873-14600	Pin-Retaining, pin joint	1	Newly	-	SP311-U, SPL311
32875-14600	Washer-Thrust, Control arm	1	Newly	-	SP311-U, SPL311

Part No.	Description	Q'ty per Section	Former Part No.	Interchangeability	Applied Model
32876-14600	Washer-Thrust, Control	1	Newly	-	SP311-U, SPL311
32877-14600	Pin-Striking rod	1	33803-03200	None	SP311-U, SPL311
32878-14600	Ring-"O", Striking pin	2	Newly	-	SP311-U, SPL311
32879-14600	Washer-Thrust, Control pin	1	Newly	-	SP311-U, SPL311
32885-14600	Washer-Control lever upper	1	32165-09600	None	SP311-U, SPL311
32886-14600	Washer-Control lever lower	1	Newly	-	SP311-U, SPL311
32887-14600	Bush-Striking rod	1	Newly	-	SP311-U, SPL311
32888-14600	Washer-Control pin	1	Newly	-	SP311-U, SPL311
32889-14600	Bush-Control pin	1	Newly	-	SP311-U, SPL311
32892-14600	Rod-Striking	1	32892-04700	None	SP311-U, SPL311
32896-14600	Lever-Striking	1	32896-04700	None	SP311-U, SPL311
<i>HAND BRAKE</i>					
36451-14600	Ass'y-Cable, hand brake	1	36451-12900	None	SP311-U SPL311
36510-14600	Ass'y-Support, brake, hand	1	36510-30000	None	SP311-U, SPL311
36512-14600	Pin-Support, lever	1	36512-30000	None	SP311-U, SPL311
36530-14600	Rod-Corss, hand brake, short	1	36530-04100	None	SP311-U, SPL311
36531-14600	Rod-Cross, hand brake, long	1	36531-04100	None	SP311-U, SPL311
36546-14600	End-Cross rod, short	1	36546-04100	None	SP311-U, SPL311
36547-14600	End-Cross rod, long	1	36547-04100	None	SP311-U, SPL311

Part No.	Description	Q'ty per Section	Former Part No.	Interchangeability	Applied Model
----------	-------------	------------------	-----------------	--------------------	---------------

PROPELLER SHAFT

37000-14600	Comp-Shaft, prop. w/joint	1	37000-10400	None	SP311-U, SPL311
-------------	---------------------------	---	-------------	------	-----------------



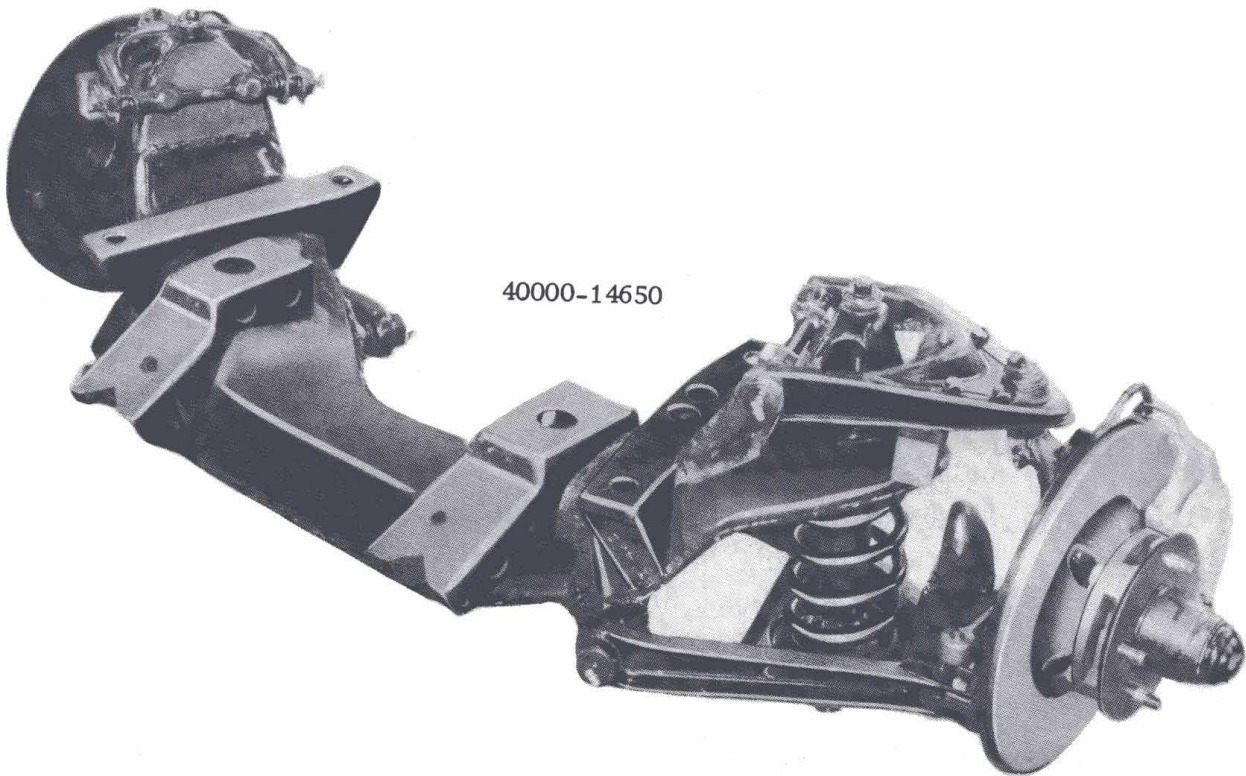
GEAR CARRIER

38300-14600	Ass'y-Carrier, gear 35/9	1	38300-10400	None	SP311-U, SPL311
38300-16300	Ass'y-Carrier, gear 37/9 (Option)	1	38300-10400	None	SP311-U, SPL311
38310-14600	Com.-Carrier, gear	1	38310-10400	None	SP311-U, SPL311
38322-14600	Ass'y-Breather	1	38322-55100	None	SP311-U, SPL311
38423-14600	Gear-Side, diff.	2	38423-04101	None	SP311-U, SPL311
38315-01302	STUD-Differential bearing cap	4	38315-04100	None	SP311-U, SPL311
38421-07200	CASE-Differential gear	1	38421-04105	None	SP311-U, SPL311

Part No.	Description	Q'ty per Section	Former Part No.	Interchangeability	Applied Model	
38424-25660	WASHER-Thrust, side gear	}	38424-08000	}	SP311-U, SPL311	
38424-32200	WASHER-Thrust, side gear		38424-08001			
38424-32201	WASHER-Thrust, side gear		38424-04101			
38424-32202	WASHER-Thrust, side gear		Newly			
38425-00100	GEAR-Pinion mate	2	38425-04100		SP311-U, SPL311	
38426-32200	WASHER-Thrust, pinion mate	2	37426-04100		SP311-U, SPL311	
38427-25660	SHAFT-Pinion mate	1	38427-04100		SP311-U, SPL311	
38100-61000	SET-GEAR, hypoid drive	1	38100-10400		SP311-U, SPL311	
38102-01300	BOLT-Drive gear	8	38102-04100		SP311-U, SPL311	
38103-01300	STRAP-Lock, bolt	4	38103-01300		SP311-U, SPL311	
38440-25660	BEARING-Side	2	38440-04100		SP311-U, SPL311	
38453-61200	SHIM-Adjusting, drive gear	}	38153-04100	}	SP311-U, SPL311	
38454-61200	SHIM-Adjusting, drive gear		38154-04100			
38455-61200	SHIM-Adjusting, drive gear		1~3			38155-04100
38456-61200	SHIM-Adjusting, drive gear					38156-04100
38457-61200	SHIM-Adjusting, drive gear					38157-04100
38120-61000	BEARING-Drive pinion, rear	1	38120-04100		SP311-U, SPL311	
38153-61200	SHIM-Adjusting, drive pinion	}	38153-25660	}	SP311-U, SPL311	
38154-61200	SHIM-Adjusting, drive pinion		1~2			38154-25660
38155-61200	SHIM-Adjusting, drive pinion					38155-25660
38156-61200	SHIM-Adjusting, drive pinion	2	38156-25660		SP311-U, SPL311	
38165-61001	SPACER-Drive pinion bearing	}	38165-09401	}	SP311-U, SPL311	
38166-61001	SPACER-Drive pinion bearing		1			38166-09401
38167-61001	SPACER-Drive pinion bearing					38167-09401

Part No.	Description	Q'ty per Section	Former Part No.	Interchangeability	Applied Model
38125-61001	WASHER-Adjust, drive pinion bearing	1	Newly	-	SP311-U, SPL311
38126-61001	WASHER-Adjust, drive pinion bearing		Newly	-	
38127-61001	WASHER-Adjust, drive pinion bearing		38127-09400		
38128-61001	WASHER-Adjust, drive pinion bearing		38128-09400		
38129-61001	WASHER-Adjust, drive pinion bearing		38129-09400		
38130-61001	WASHER-Adjust, drive pinion bearing		38130-09400		
38131-61001	WASHER-Adjust, drive pinion bearing		38131-09400		
38132-61001	WASHER-Adjust, drive pinion bearing		38132-09400		
38133-61001	WASHER-Adjust, drive pinion bearing		38133-09400		
38134-61001	WASHER-Adjust, drive pinion bearing		38134-09400		
38135-61001	WASHER-Adjust, drive pinion bearing		38135-09400		
38136-61001	WASHER-Adjust, drive pinion bearing		38136-09400		
38137-61001	WASHER-Adjust, drive pinion bearing		38137-09400		
38138-61001	WASHER-Adjust, drive pinion bearing		38138-09400		
38139-61001	WASHER-Adjust, drive pinion bearing		38139-09400		
38140-61000	BEARING-Drive pinion, front	1	38140-04100		SP311-U,SPL311
38189-61000	SEAL-Oil, drive pinion	1	38189-02701		SP311-U,SPL311
38210-73000	ASS'Y-FLANGE, companion	1	38210-09400		SP311-U,SPL311
38215-61000	WASHER-Plain	1	38215-01300		SP311-U,SPL311
38216-61000	NUT	1	38216-01300		SP311-U,SPL311
38320-25660	GASKET-Gear carrier	1	38320-04100		SP311-U,SPL311

Part No.	Description	Q'ty per Section	Former Part No.	Interchangeability	Applied Model
----------	-------------	------------------	-----------------	--------------------	---------------



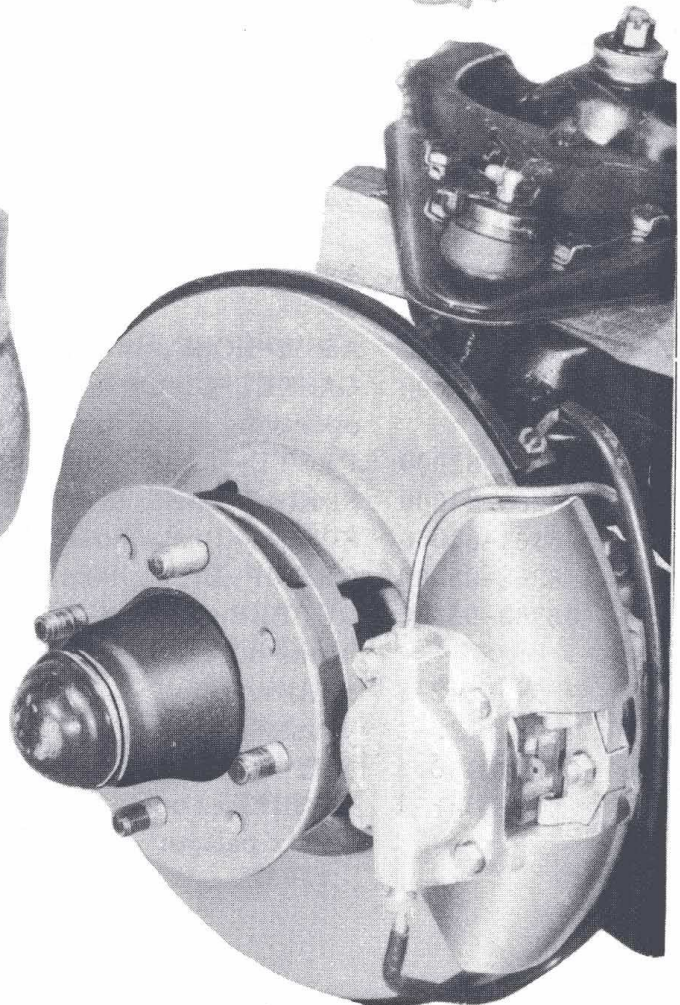
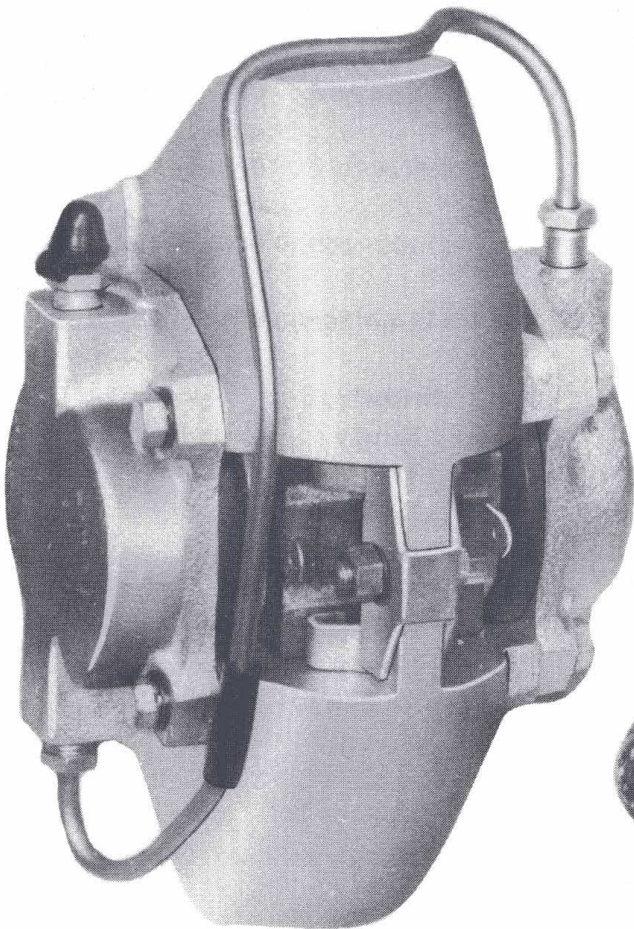
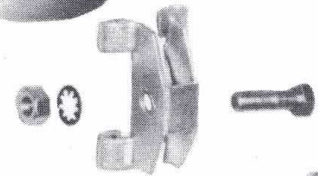
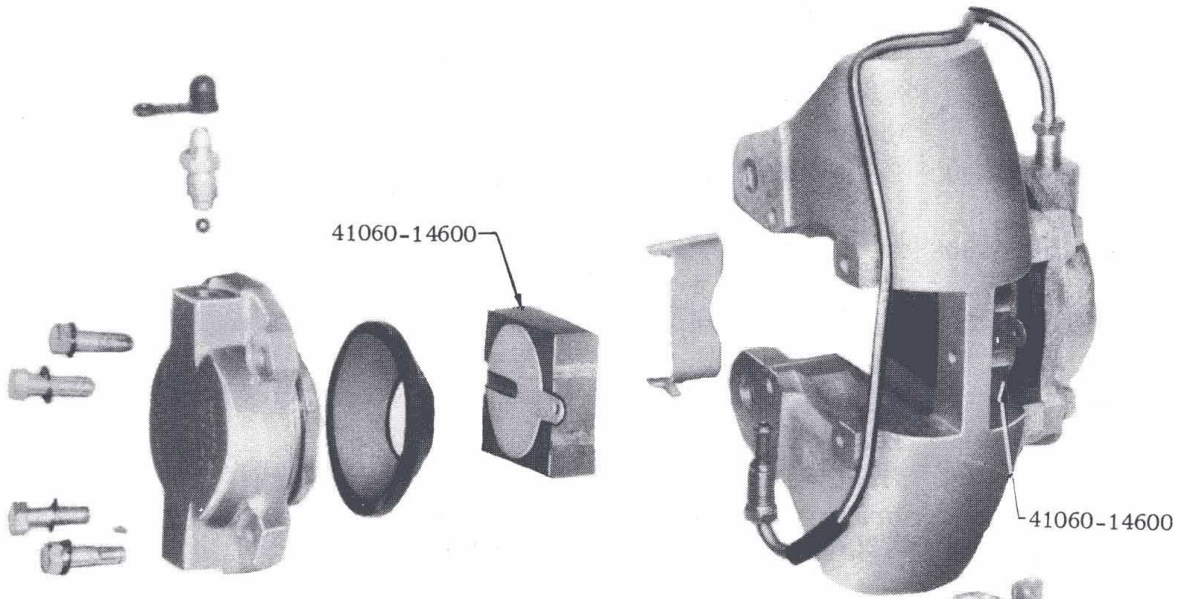
SWIVEL AXLE

40000-14650	ASS'Y-AXLE, front W/suspension member	1			
40014-14650	Ass'y-Spindle, W/nut (RH)	1	40014-04150	None	SP311-U, SPL311
40015-14650	Ass'y-Spindle, W/nut (LH)	1	40015-04150	None	SP311-U, SPL311
40074-10602	COVER-Dust, uppr ball joint	2	40080-04100		

FRONT SUSPENSION

54611-04250	BAR-Torsion, front stabilizer	1	54611-14200		
-------------	----------------------------------	---	-------------	--	--

Part No.	Description	Q'ty per Section	Former Part No.	Interchangeability	Applied Model
----------	-------------	------------------	-----------------	--------------------	---------------



{ 41000-14600(R. H.)
 { 41010-14600(L. H.)

Part No.	Description	Q'ty per Section	Former Part No.	Interchangeability	Applied Model
<i>FRONT BRAKE</i>					
41000-14600	Ass'y-Caliper, front brake (RH)	1	Newly	None	SP311-U, SPL311
41005-14600	Bolt-Caliper, fix	4	Newly	-	SP311-U, SPL311
41010-14600	Ass'y-Caliper, front brake (LH)	1	Newly	-	SP311-U, SPL311
41020-14600	Ass'y-Adapter, caliper (RH)	1	Newly	-	SP311-U, SPL311
41025-14600	Ass'y-Plate, baffle, front (RH)	1	Newly	-	SP311-U, SPL311
41028-14600	Bracket-Connector, brake hose	2	Newly	-	SP311-U, SPL311
41029-14600	Ass'y-Tube, front brake (RH)	1	Newly	-	SP311-U, SPL311
41030-14600	Ass'y-Adapter, caliper (LH)	1	Newly	-	SP311-U, SPL311
41035-14600	Ass'y-Plate, baffle, front (LH)	1	Newly	-	SP311-U, SPL311
41039-14600	Ass'y-Tube, front brake (LH)	1	Newly	-	SP311-U, SPL311
41060-14600	Ass'y-Pad, front brake	4	Newly	-	SP311-U, SPL311
41140-14600	Ass'y-Tube, bridge (RH)	1	41140-10600	None	SP311-U, SPL311
41141-14600	Ass'y-Tube, bridge (LH)	1	41141-10600	None	SP311-U, SPL311
46201-10600	ASS'Y-HOSE, brake, front	2	Newly	-	
46237-30000	GASKET-Clutch hose to operating cylinder	2	Newly	-	
46205-61000	PLATE-Lock, brake hose	2	Newly	-	
46206-61000	SPRING-Lock, brake hose	2	Newly	-	
46361-61000	SPRING-Brake hose	2	Newly	-	
46362-08500	CLAMP-Brake hose	2	Newly	-	
46363-08500	RUBBER-Protect, brake hose	2	Newly	-	
3-14012-1	SCREW	2	Newly	-	
9-15115-1	WASHER-Lock	2	Newly	-	
9-11140-1	NUT	2	Newly	-	
9-15118-1	WASHER-Lock (to fix caliper)	4	Newly	-	

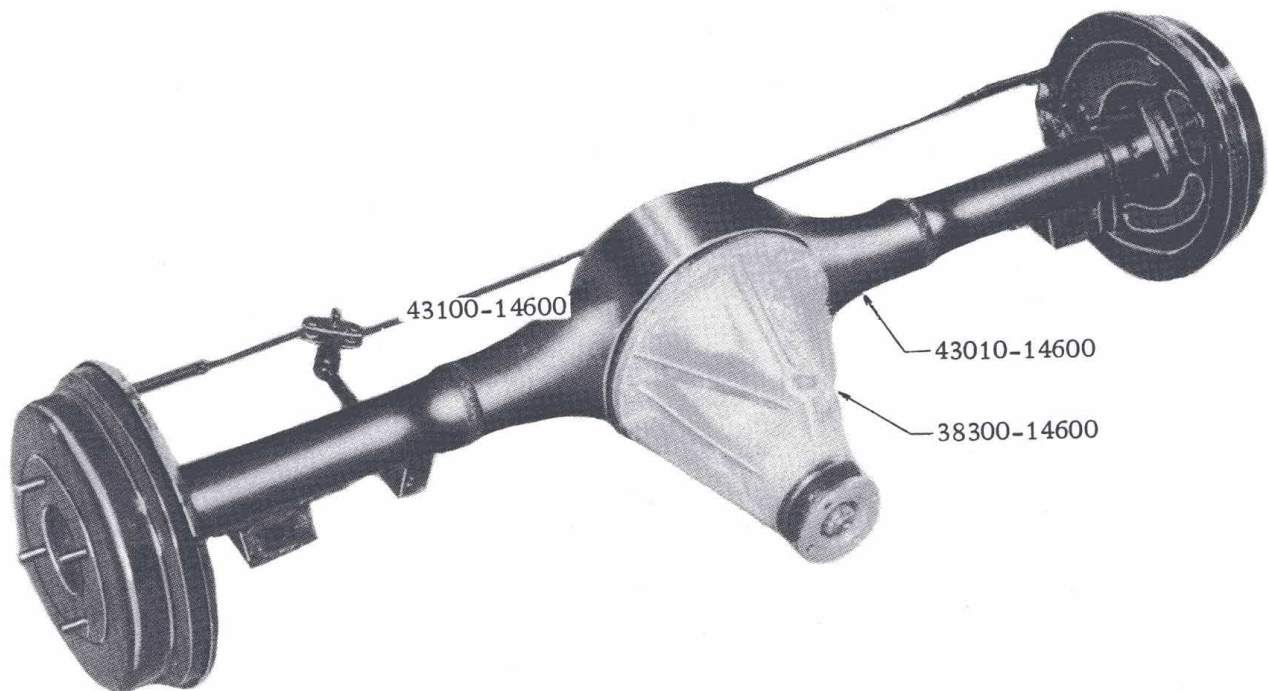
Part No.	Description	Q'ty per Section	Former Part No.	Interchangeability	Applied Model
----------	-------------	------------------	-----------------	--------------------	---------------

FRONT HUB & DRUM

40202-14600	Hub-Road wheel, front	2	Newly	-	SP311-U, SPL311
40206-14600	Rotor-Disc brake	2	Newly	-	SP311-U, SPL311
40215-14600	Bearing-Front wheel, outer	2	40215-10630	None	SP311-U, SPL311
40221-14600	Bolt-Hub, road wheel	8	40221-10600	None	SP311-U, SPL311
40225-14600	Bolt-Hub, rotor fix	8	Newly	-	SP311-U, SPL311
40234-14600	Cap-Hub, front wheel	2	40234-04100	None	SP311-U, SPL311

ROAD WHEEL

40300-14600	Ass'y-Wheel, road	5	40300-10500	None	SP311-U, SPL311
40315-16300	Cover-Road wheel	4	40315-10400	None	SP311-U, SPL311



Part No.	Description	Q'ty per Section	Former Part No.	Interchangeability	Applied Model
----------	-------------	------------------	-----------------	--------------------	---------------

REAR AXLE

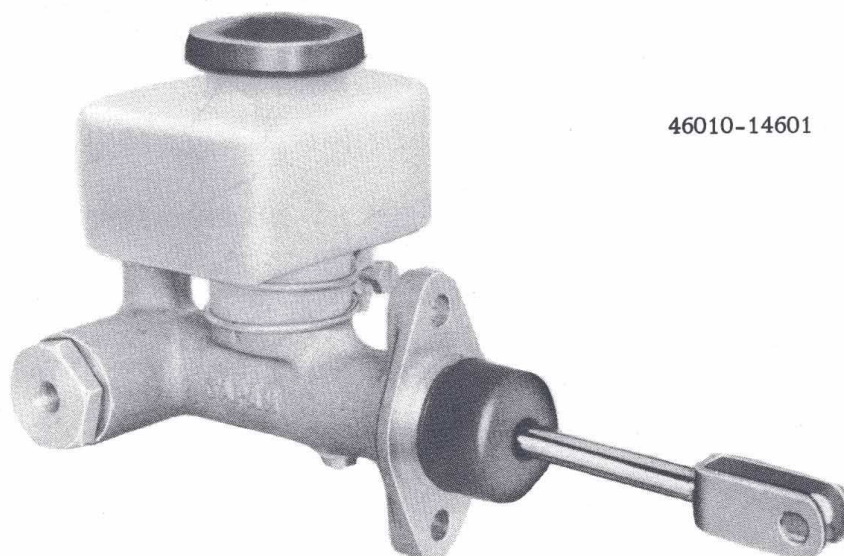
43000-14650	Ass'y-Rear axle	1	Newly	None	SP311-U, SPL311
43010-14600	Com.-Case, rear axle	1	43010-10401	None	SP311-U, SPL311
43100-14600	Ass'y-Axle, rear, without wheel	1	43100-10550	None	SP311-U, SPL311
38164-14600	Shaft-Rear axle	2	38164-08000	None	SP311-U, SPL311
2-24520-1	STUD-Gear carrier	10	43067-30000		
43084-10600	COLLAR-Bearing, rear axle	2	Newly		
43036-10601	SHIM-Rear axle case end	0~4	43036-04100		

REAR BRAKE

44000-14600	Ass'y-Brake, rear (RH)	1	44000-10600	None	SP311-U, SPL311
44010-14600	Ass'y-Brake, rear (LH)	1	44010-10600	None	SP311-U, SPL311
44100-14600	Ass'y-Cylinder, rear wheel	2	44100-10600	None	SP311-U, SPL311

BRAKE MASTER CYLINDER

46010-14601	Ass'y-Cylinder, brake master	1	46010-12900	None	SP311-U, SPL311
-------------	------------------------------	---	-------------	------	--------------------



Part No.	Description	Q'ty per Section	Former Part No.	Interchangeability	Applied Model
----------	-------------	------------------	-----------------	--------------------	---------------

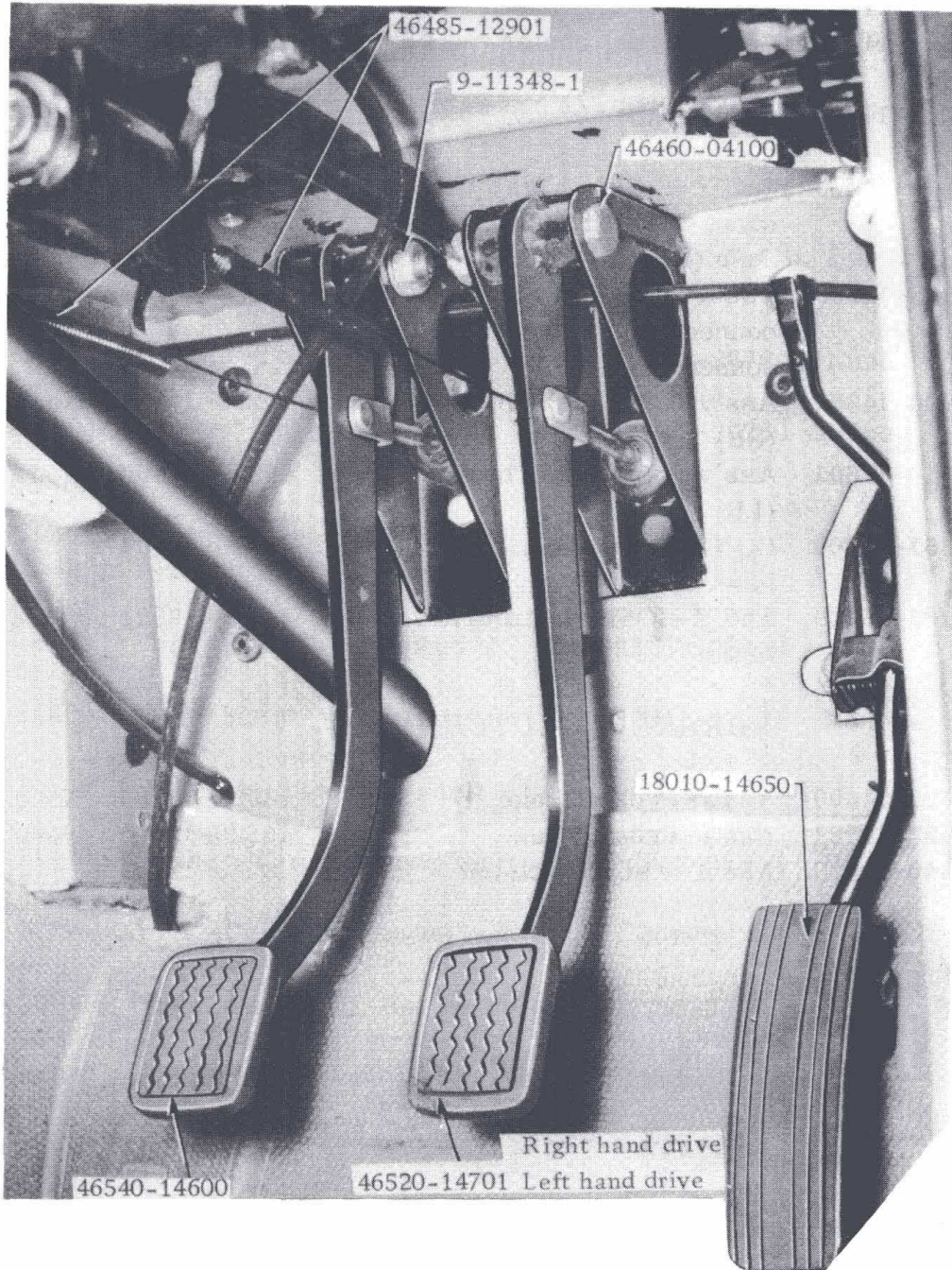
BRAKE PIPING

46223-14600	Ass'y-Tube, brake master	1	46223-12200	None	SP311-U
46223-14700	Ass'y-Tube, brake master	1	46223-12300	None	SPL311
46228-14600	Ass'y-Tube, center connector	1	46228-12900	None	SP311-U, SPL311
46242-14700	Ass'y-Tube, 5 way connector	1	46242-12300	None	SPL311, SP311-U,
46240-14600	ASS'Y-TUBE, 5 way connector to front brake hose (R.H)	1	46240-10401		
46229-12900	ASS'Y-TUBE, 5 way connector to center connection	1	46229-10401		
46290-14601	Ass'y-Tube, rear brake (RH)	1	46290-10500	None	SP311-U, SPL311
46310-14601	Ass'y-Tube, rear brake (LH)	1	46310-10500	None	SP311-U, SPL311
46357-35000	CONNECTION-Brake tube, 3 way	1	46316-30001		
46201-10600	ASS'Y-HOSE, hydrouic brake	3	46210-30001		

BRAKE & CLUTCH PEDAL

46520-14600	Ass'y-Pedal, brake	1	46520-12900	None	SP311-U
46520-14701	Ass'y-Pedal, brake	1	46520-13000	None	SPL311
46540-14600	ASS'Y-PEDAL, clutch	1	46540-12900		

Part No.	Description	Q'ty per Section	Former Part No.	Interchangeability	Applied Model
----------	-------------	------------------	-----------------	--------------------	---------------



Part No.	Description	Q'ty per Section	Former Part No.	Interchangeability	Applied Model
----------	-------------	------------------	-----------------	--------------------	---------------

STEERING WHEEL

48020-14600	Comp.-Column	1	48020-12900	None	SP311-U, SPL311
48050-14600	Comp.-Jacket, st'g column	1	48050-12900	None	SP311-U
48050-14700	Comp.-Jacket, st'g column	1	48050-13000	None	SPL311
48317-14600	Ass'y-Bracket, st'g post	1	48317-12900	None	SP311-U
48317-14700	Ass'y-Bracket, st'g post	1	48317-13000	None	SPL311
48324-14600	Clamp-st'g post, upper	1	48324-12900	None	SP311-U, SPL311
48326-14600	Clamp-St'g post, lower	1	48326-12900	None	SP311-U, SPL311

FRAME

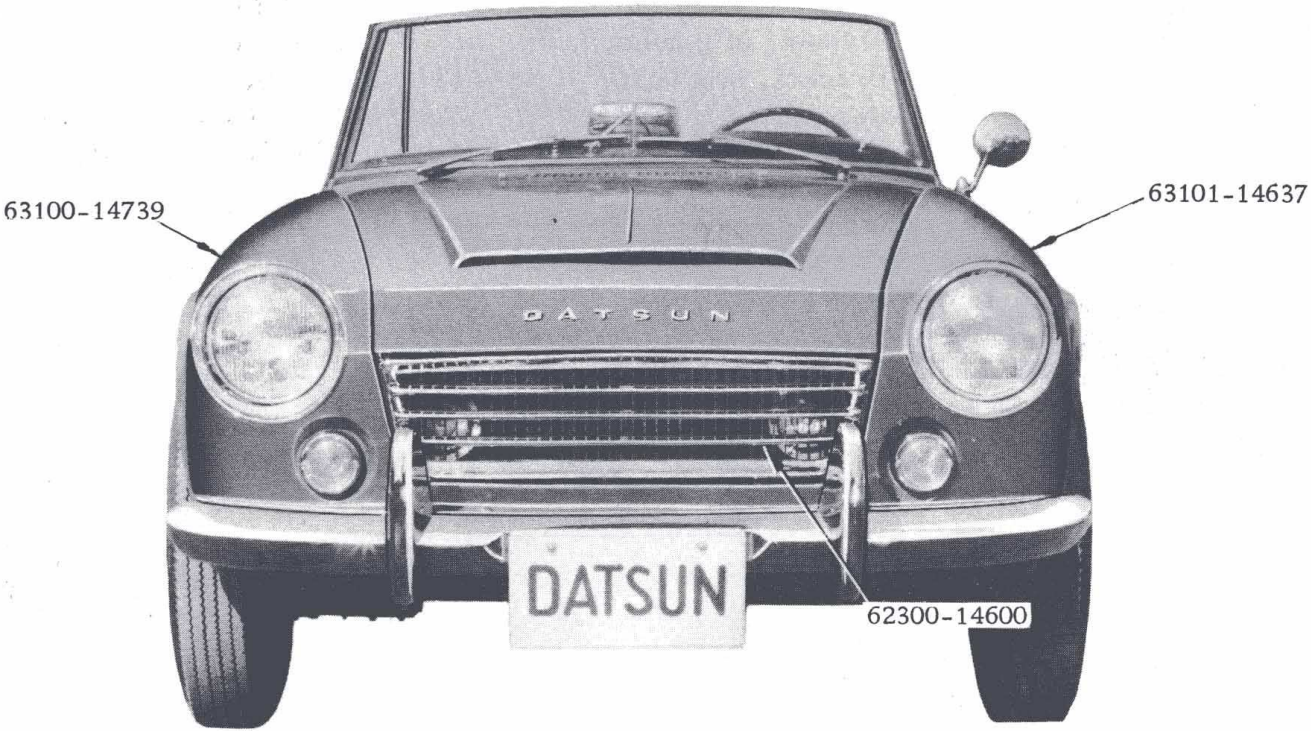
50100-14600	Ass'y-Frame	1	50100-12900	None	SP311-U
50100-14700	Ass'y-Frame	1	50100-13000	None	SPL311
51010-14600	Ass'y-Member, cross, front	1	50100-12200	None	SP311-U
51030-14600	Ass'y-Member, cross, 3rd	1	51030-10400	Yes	SP311-U, SPL311
54050-14600	Ass'y-Bumper, bount, front	2	54050-09400	Yes	SP311-U, SPL311
51010-14700	Ass'y-Member, cross front	1	51010-14600	None	SPL311

REAR SUSPENSION

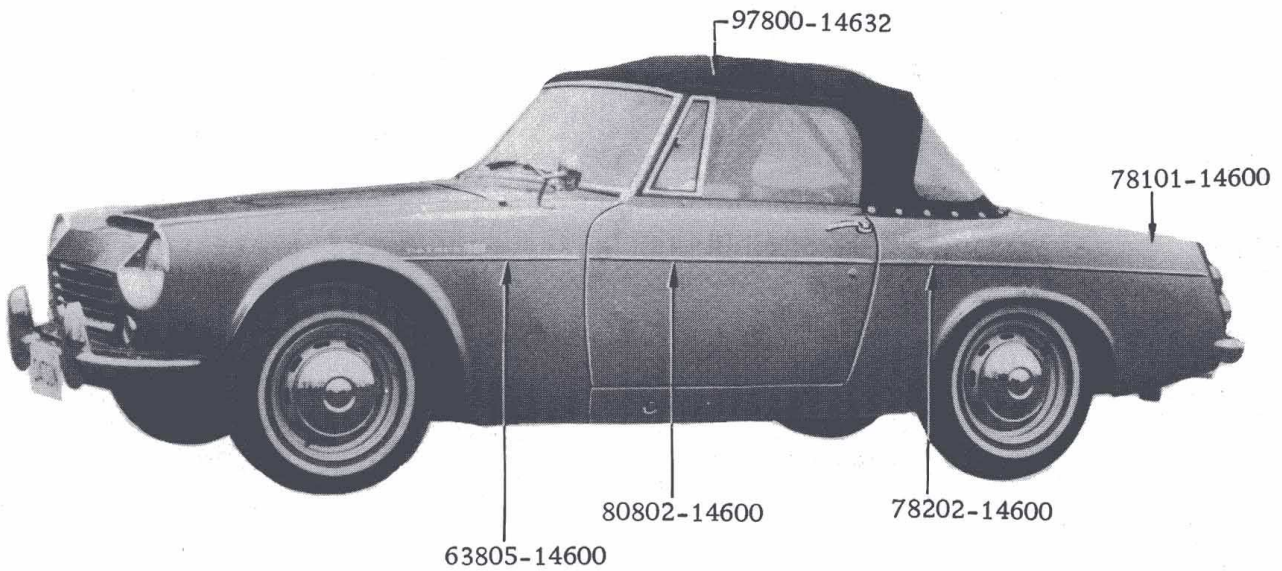
55054-14600	Plate-Locating, rear axle	4	55054-04101	None	SP311-U, SPL311
55240-14600	Ass'y-Bumper, rear axle	2	55240-04102	None	SP311-U, SPL311
55247-14600	Clip-Rear spring	1	55247-10500	None	SP311-U
55247-14700	Clip-Rear spring	1	55247-10500	None	SPL311
55262-14600	Seat-Rear spring (RH)	1	55262-09400	None	SP311-U, SPL311
55266-14600	Seat-Rear spring (LH)	1	55266-09400	None	SP311-U, SPL311

Part No.	Description	Q'ty per Section	Former Part No.	Interchangeability	Applied Model
----------	-------------	------------------	-----------------	--------------------	---------------

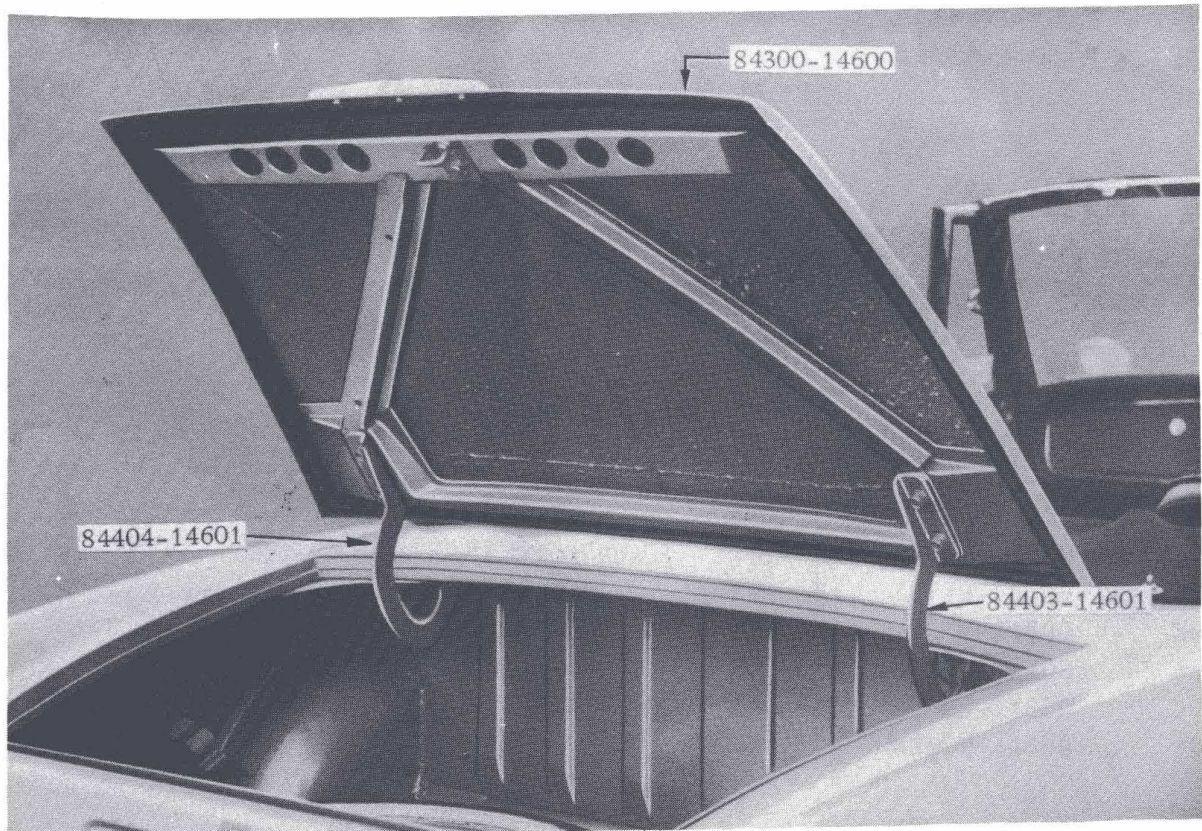
BODY



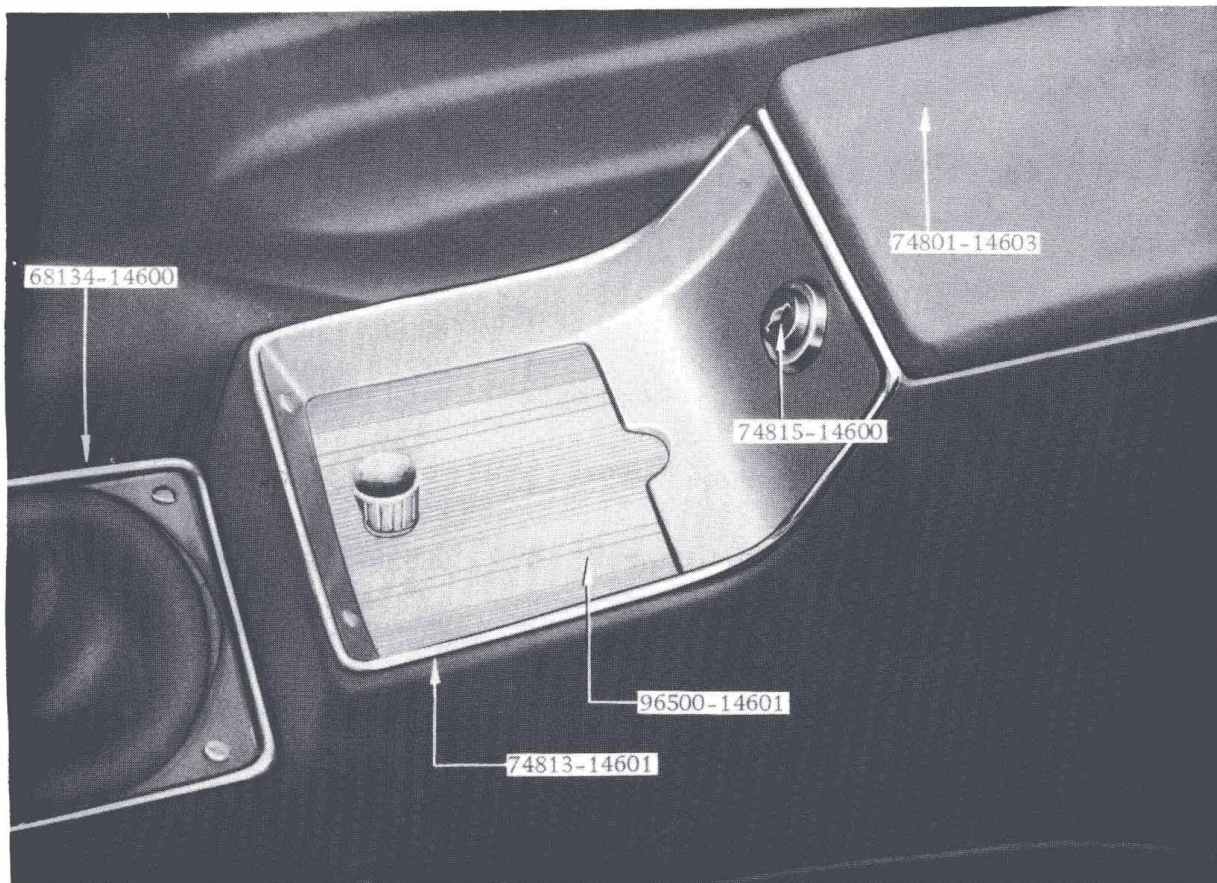
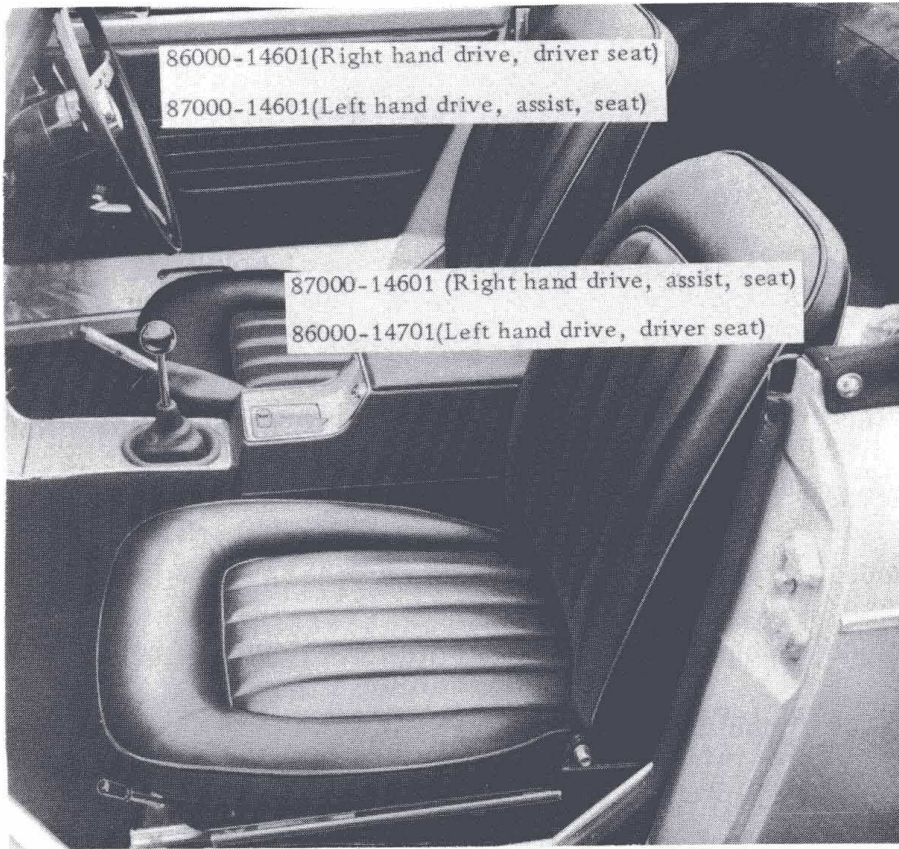
Part No.	Description	Q'ty per Section	Former Part No.	Interchangeability	Applied Model
----------	-------------	------------------	-----------------	--------------------	---------------



Part No.	Description	Q'ty per Section	Former Part No.	Interchangeability	Applied Model
----------	-------------	------------------	-----------------	--------------------	---------------



Part No.	Description	Q'ty per Section	Former Part No.	Interchangeability	Applied Model
----------	-------------	------------------	-----------------	--------------------	---------------



Part No.	Description	Q'ty per Section	Former Part No.	Interchangeability	Applied Model
<i>BODY</i>					
57210-14600	Ass'y-Clamp, spare tire	1	57235-04101	Yes	SP311-U, SPL311
57901-14600	Cover-Spare tire	1	57901-12900	None	SP311-U, SPL311
62300-14600	Grille ass'y-Radiator	1	62300-10400	None	SP311-U, SPL311
62507-14600	Channel ass'y-Core support	1	62506-12200	None	SP311-U, SPL311
62680-14600	Bracket-Bumper stay, front	2	62680-10400	None	SP311-U, SPL311
63100-14739	Fender ass'y-Front R.H.	1	63100-12901	None	SP311-U, SPL311
63101-14637	Fender ass'y-Front L.H.	1	63101-13000	None	SPL311, SP311-U
63801-14600	Moulding-Front fender R.H.	1	63801-10400	None	SP311-U, SPL311
63805-14600	Moulding-Front fender L.H.	1	63802-10400	None	SP311-U, SPL311
64100-14650	Ledge ass'y-Hood R.H.	1	64100-12900	None	SP311-U
64100-14750	Ledge ass'y-Hood R.H.	1	64100-13000	None	SPL311
64101-14650	Ledge ass'y-Hood L.H.	1	64101-12900	None	SP311-U
64101-14750	Ledge ass'y-Hood L.H.	1	64101-13000	None	SPL311
65100-14600	Hood ass'y	1	65100-12900	None	SP311-U, SPL311
66103-14600	Hinge ass'y-Pillar R.H.	1	66103-12900	None	SP311-U, SPL311
66104-14600	Hinge ass'y-Pillar L.H.	1	66104-12900	None	SP311-U, SPL311
66300-14650	Top ass'y-Cowl	1	66300-12950	None	SP311-U
66300-14750	Top ass'y-Cowl	1	66300-13050	None	SPL311
66514-14601	Hose-Drain, cowl	1	Newly	-	SP311-U, SPL311
66518-14600	Clamp-Drain hole	1	Newly	-	SP311-U, SPL311
66530-14600	Ass'y-Valve ventilator R.H.	1	66530-12900	Yes	SP311-U, SPL311
66531-14600	Ass'y-Valve ventilator L.H.	1	66531-12900	Yes	SP311-U, SPL311
66911-14600	Trim-Cowl side, lower R.H.	1	66911-12900	None	SP311-U, SPL311
66911-14601	Trim-Cowl side, lower R.H.	1	66911-12901	None	SP311-U, SPL311

Part No.	Description	Q'ty per Section	Former Part No.	Interchangeability	Applied Model
66912-14600	Trim-Cowl side, Loer L.H.	1	66912-12900	None	SP311-U, SPL311
66912-14601	Trim-Cowl side, lower L.H.	1	66912-12901	None	SP311-U, SPL311
67901-14600	Insulator-Dash R.H.	1	67901-12900	None	SP311-U
67902-14700	Insulator-Dash L.H.	1	67902-13000	None	SPL311
67903-14600	Insulator-Dash, center	1	67903-12900	Yes	SP311-U
67903-14700	Insulator-Dash, lower	1	67903-13000	Yes	SPL311
68100-14600	Panel ass'y-Instrument	1	68100-12900	None	SP311-U
68100-14700	Panel ass'y-Instrument	1	68100-13000	None	SPL311
68131-14600	Finish-Console	1	68131-12900	None	SP311-U, SPL311
68132-14600	Moulding-Console, front R.H.	1	68132-12900	None	SP311-U, SPL311
68133-14600	Moulding-Console, front L.H.	1	68133-12901	None	SP311-U, SPL311
68134-14600	Moulding-Console, rear	1	68134-12900	None	SP311-U, SPL311
68149-14600	Finish-Switch	1	68149-12900	None	SP311-U
68149-14700	Finish-Switch	1	68149-13000	None	SPL311
72805-12900	CLIP-Moulding, windshield	1	72805-04100	None	SP311-U, SPL311
74801-14602	Box ass'y-Glove, floor (Red)	1	74801-12900	None	SP311-U, SPL311
74801-14603	Box ass'y-Glove, floor (Black)	1	74801-12901	None	SP311-U, SPL311
74810-14602	Trim-Glove box, floor (Red)	1	74810-12900	None	SP311-U, SPL311
74810-14603	Trim-Glove box, floor (Black)	1	74810-12901	None	SP311-U, SPL311
74813-14601	Moulding-Ash tray	1	Newly	None	SP311-U, SPL311
74815-14600	Set-Cyl & lock, glove box	1	Newly	-	SP311-U, SPL311
74901-14600	Insulator-Floor, front R.H.	1	74901-12900	None	SP311-U, SPL311
74902-14600	Insulator-Floor, front L.H.	1	74902-12900	None	SP311-U, SPL311
74921-14600	Trim-Ass'y-Floor, front R.H. (Red)	1	74921-12900	None	SP311-U
74921-14601	Trim-Ass'y-Floor, front R.H. (Black)	1	74921-12901	None	SP311-U
74921-14700	Trim ass'y-Floor, front R.H. (Red)	1	74921-13000	None	SPL311

Part No.	Description	Q'ty per Section	Former Part No.	Interchangeability	Applied Model
74921-14701	Trim ass'y-Floor, front R.H. (Black)	1	74921-13001	None	SPL311
74922-14600	Trim ass'y-Floor, front L.H. (Red)	1	74922-12900	None	SP311-U
74922-14601	Trim ass'y-Floor, front L.H. (Black)	1	74922-12901	None	SP3(H)
74922-14700	Trim ass'y-Floor, front L.H. (Red)	1	74922-13000	None	SPL311
74922-14701	Trim ass'y-Floor, front L.H. (Black)	1	74922-13001	None	SPL311
74927-14600	Trim-Panel tunnel (Red)	1	74927-12902	None	SP311-U, SPL311
74927-14601	Trim-Panel tunnel (Black)	1	74927-12903	None	SP311-U, SPL311
74932-14600	Plate-Scuff, center R.H.	1	74932-12900	None	SP311-U, SPL311
74933-14600	Plate-Scuff, center L.H.	1	74932-12900	None	SP311-U, SPL311
74934-14600	Plate-Scuff, front R.H.	1	74936-12900	None	SP311-U, SPL311
74936-14600	Plate-Scuff, rear R.H.	1	74934-12900	None	SP311-U, SPL311
74937-14600	Plate-Scuff, rear R.H.	1	Newly	-	SP311-U, SPL311
74938-14600	Plate-Scuff, rear L.H.	1	Newly	-	SP311-U, SPL311
74950-14600	Trim ass'y-Parcel shelf (Red)	1	74950-12900	None	SP311-U, SPL311
74950-14601	Trim ass'y-parcel shelf (Black)	1	74950-12901	None	SP311-U, SPL311
76600-14600	Pillar ass'y-lock R.H.	1	7600-12900	None	SP311-U, SPL311
76601-14600	Pillar ass'y-Lock L.H	1	76601-12900	None	SP311-U, SPL311
76810-14600	Cap-Top, lock pillar R.H.	1	76810-12900	Yes	SP311-U, SPL311
76811-14600	Cap-Top, lock pillar L.H.	1	76811-12900	Yes	SP311-U, SPL311
76921-14600	Trim-Quarter panel R.H., (Red)	1	76921-12900	None	SP311-U, SPL311
76921-14601	Trim-Quarter panel R.H., (Black)	1	76921-12901	None	SP311-U, SPL311
76922-14600	Trim-Quarter panel L.H., (Red)	1	76922-12900	None	SP311-U, SPL311
76922-14601	Trim Quarter, panel L.H., (Black)	1	76922-12901	None	SP311-U, SPL311

Part No.	Description	Q'ty per Section	Former Part No.	Interchangeability	Applied Model
76931-14600	Trim-Wheel house R.H. (Red)	1	76931-12900	None	SP311-U, SPL311
76931-14601	Trim-Wheel house R.H. (Black)	1	76931-12901	None	SP311-U, SPL311
76932-14600	Trim-Wheel house L.H. (Red)	1	76932-12900	None	SP311-U, SPL311
76932-14601	Trim-Wheel house L.H. (Black)	1	76932-12901	None	SP311-U, SPL311
78100-14600	Fender ass'y-Rear R.H.	1	78100-12900	None	SP311-U, SPL311
78101-14600	Fender ass'y-Rear L.H.	1	78101-12900	None	SP311-U, SPL311
78201-14600	Moulding-Rear fender R.H.	1	78201-10400	None	SP311-U, SPL311
78202-14600	Moulding-Rear fender L.H.	1	78202-10400	None	SP311-U, SPL311
79811-14600	Emblem-Rear panel "DATSUN 1600"	1	79811-12200	None	SP311-U, SPL311 U.S.A only
79900-14600	Trim ass'y-Panel, end room (Red)	1	79900-12900	None	SP311-U, SPL311
79900-14601	Trim ass'y-panel end room (Black)	1	79901-12900	None	SP311-U, SPL311
80010-14600	Cylinder ass'y-Lock & key	1	80010-12900	None	SP311-U, SPL311
80100-14600	Panel ass'y-Door R.H.	1	80100-12900	None	SP311-U, SPL311
80101-14600	Panel ass'y-Door L.H.	1	80101-12900	None	SP311-U, SPL311
80801-14600	Moulding-Door R.H.	1	80801-10400	None	SP311-U, SPL311
80802-14600	Moulding-door L.H.	1	80802-10400	None	SP311-U, SPL311
80919-14600	Clip-Door trim	5	80919-32200	None	SP311-U, SPL311
84300-14600	Panel ass'y-Trunk lid	1	84300-12900	None	SP311-U, SPL311
84403-14601	Hinge ass'y-Trunk lid R.H.	1	84403-10400	None	SP311-U, SPL311
84404-14601	Hinge-Ass'y-Trunk lid L.H.	1	84404-10400	None	SP311-U, SPL311
84408-14602	Bumper-Hinge, trunk lid	1	Newly	-	SP311-U, SPL311

Part No.	Description	Q'ty per Section	Former Part No.	Interchangeability	Applied Model
84420-14600	Shim-Hinge, Trunk lid	6	Newly	-	SP311-U, SPL311
84530-14600	Bar ass'y-Torsion T/L R.H.	1	Newly	-	SP311-U, SPL311
84533-14601	Bar-Torsion T/L L.H.	1	Newly	-	SP311-U, SPL311
84573-14600	Anti-Squeak	1	Newly	-	SP311-U, SPL311
84901-14600	Trim ass'y-Trunk floor	1	84901-12900	None	SP311-U, SPL311
96500-14601	Ash tray ass'y	1	Newly	-	SP311-U, SPL311
97706-14600	Screw-Fastner, soft top	2	Newly	-	SP311-U, SPL311
97760-14600	Comp.-Cover compartment		97760-12900	None	SP311-U, SPL311
97800-14650	Ass'y-Fram, soft top	1	97800-12900	Yes	SP311-U, SPL311
97800-14632	Soft top kit	1	Newly	-	SP311-U, SPL311
97800-14651	Ass'y-Frame W/soft top	1	Newly	-	SP311-U, SPL311
86000-14600	Comp.-Driver seat (red)	1	86000-12900	Yes	SP311-U
86000-14601	Comp.-Driver seat (Black)	1	86000-12901	Yes	SP311-U
86000-14700	Comp.-Driver seat (Red)	1	86000-13000	Yes	SPL311
86000-14701	Comp.-Driver seat (Black)	1	86000-13001	Yes	SPL311
87000-14600	Comp.-Assist. seat (Red)	1	87000-12900	Yes	SP311-U
87000-14601	Comp.-Assist. seat (Black)	1	87000-12901	Yes	SP311-U
87000-14700	Comp.-Assist. seat (Red)	1	87000-13000	Yes	SPL311
87000-14701	Comp-Assist. seat (Black)	1	87000-13001	Yes	SPL311
86600-14600	Ass'y-Seat back (Red)	2	86600-12900	Yes	SP311-U, SPL311
86600-14601	Ass'y-Seat back (Black)	2	86600-12901	Yes	SP311-U, SPL311
86300-14600	Ass'y-Driver seat cushion (Red)	1	86300-12900	Yes	SP311-U, SPL311
86300-14601	Ass'y-Driver seat cushion (Black)	1	86300-12901	Yes	SP311-U, SPL311
87300-14600	Ass'y-Assist. seat cushion (Red)	1	86300-12900	Yes	SP311-U, SPL311
87300-14601	Ass'y-Assist. seat cushion (Black)	1	86300-12901	Yes	SP311-U, SPL311
96901-14606	Plate-Model No. (English description)	1	Newly	-	SP311-U

Part No.	Description	Q'ty per Section	Former Part No.	Interchangeability	Applied Model
96901-14607	Plate-Model No. (Spanish description)	1	Newly	-	SP311-U
96901-14704	Plate-Model No. (English description)	1	Newly	-	SPL311
96901-14705	Plate model No. (Spanish description)	1	Newly	-	SPL311

NOTE:

Part No.	Page	Part No.	Page	Part No.	Page
<i>10000</i>		13214-14600	6	18138-14700	12
10000-14600	3	14002-14600	8	18410-14600	12
10000-14700	3	14016-14600	8	17099-72600	10
10001-14650	3	12111-12210	5	16420-72600	10
10001-14750	3	12117-12210	5	17525-14600	11
10005-14600	4	12218-12210	5		
10100-14600	3	12119-12210	5	<i>20000</i>	
10102-14600	3	12120-12210	5		
10103-14700	3	12121-12210	6	21010-14600	13
11010-14600	4	12122-12210	6	21013-14600	13
11041-14602	4	14034-14600	8	21014-14600	13
11044-14600	4	14035-14600	8	21022-14600	13
11049-14600	4	14057-14600	8	21026-14600	13
11050-14600	4	14330-14600	8	21026-14600	13
11051-14600	4	16010-14600	8	21035-14600	13
11052-14600	4	16174-14600	8	21054-14600	13
11058-14600	4	16175-14600	8	21074-14600	13
11059-14600	4	16360-14600	10	21211-12601	15
11060-14602	4	16362-14600	10	21400-14600	15
11098-14600	6	16364-14600	10	21430-14601	15
11099-14600	6	16365-14600	10	21430-16300	15
11328-14600	15	16367-14600	10	21474-12900	15
12010-14611	5	16370-14600	10	21476-14600	15
12010-14613	5	16371-14600	10	21501-14700	15
12010-14614	5	16372-14600	10	21501-16300	15
12010-14615	5	16373-14600	10	21503-16301	15
12010-14616	5	16374-14600	10	21503-14701	15
12010-14618	5	16375-14600	10	21510-14600	15
12024-14600	5	16378-14600	10	21515-14600	15
12033-14600	5	16379-14600	10	21515-14700	15
12035-14600	5	16380-14600	10	21516-16300	15
12036-14600	5	17010-14600	10	22100-14600	16
12037-14600	5	17106-14601	10	22177-14600	16
12038-14600	5	17107-14600	10	22433-14600	16
12040-14600	5	17201-14601	11	22450-14600	16
12100-14650	5	17425-14600	11	22450-32201	16
12109-14600	5	17502-14600	11	22460-14600	16
12200-14600	6	17503-14600	11	23100-14600	15
12310-14600	6	17506-14600	11	23174-14600	15
13200-14600	6	17522-14601	11	23500-14600	15
13205-14600	6	17524-14600	11	24012-14600	17
13206-14600	6	18010-14600	12	24013-14601	17
13212-14600	6	18010-14700	12	24013-14701	17
13213-14600	6	18071-15800	12	24017-14600	17
		18128-14600	12	24018-14600	17

Part No.	Page	Part No.	Page	Part No.	Page
24080-14700	17	30210-14600	23	32246-14600	28
24016-14700	17	30501-14601	23	32252-14600	28
24016-14601	17	30502-14600	23	32253-14600	28
24015-14600	17	30514-14600	23	32258-14600	28
24019-14600	17	30531-14601	23	32262-14600	28
24014-14600	17	30531-14602	23	32263-14600	28
24014-14700	17	30533-14600	23	32263-14601	28
24110-14700	17	30534-14601	23	32263-14602	29
24149-14600	17	30537-14600	23	32263-14603	29
24410-14800	17	30542-14601	23	32263-14604	29
24420-14600	17	30547-14600	23	32264-14600	29
24422-14600	17	30620-14600	23	32272-14600	29
24428-14600	17	30650-14600	23	32281-14600	29
24860-14600	18	32010-14650	27	32282-14600	29
24880-14600	18	32100-14600	27	32283-14600	29
24880-14700	18	32103-14600	27	32284-14600	29
25020-14600	18	32104-14600	27	32285-14600	29
25052-14600	19	32111-14600	27	32285-14601	29
25055-10602	19	32112-14600	27	32285-14602	29
25055-14900	19	32113-14600	27	32285-10603	29
25060-14600	18	32130-14600	27	32285-10604	29
25260-14600	18	32132-14600	27	32292-14600	29
25310-14600	18	32133-14600	27	32601-14600	29
25410-14600	18	32134-14600	27	32605-14600	29
25412-14600	18	32138-14600	27	32606-14600	29
26310-16300	18	32141-14600	27	32611-14600	29
26330-16300	18	32161-14600	27	32612-14601	30
26341-14600	20	32162-14600	27	32612-14602	30
26320-14800	19	32202-14600	27	32613-14601	30
26350-14600	20	32203-14600	27	32614-14600	30
26352-14600	20	32204-14600	27	32615-14600	30
26360-12900	20	32205-14601	27	32616-14600	30
26361-12900	20	32208-14600	27	32617-14601	30
26365-12900	20	32211-14600	28	32701-14600	30
26366-12900	20	32213-14600	28	32618-14601	30
27010-14600	20	32218-14600	28	32703-14600	30
27010-14700	20	32224-14600	28	32707-14600	30
27310-14600	20	32225-14600	28	32709-14600	30
27310-14700	20	32225-14601	28	32710-14600	30
27380-14600	20	32225-14602	28	32717-14600	30
		32225-14603	28	32718-14600	30
		32225-14604	28	32720-14600	30
		32232-14600	28	32801-14600	30
		32241-14600	28	32805-14600	30
		32245-14600	28	32809-14600	30
30000					
30100-14600	23				

Part No.	Page	Part No.	Page	Part No.	Page
32811-14600	30	38300-16300	33	38140-61000	35
32816-14600	30	38310-14600	33	38189-61000	35
32819-14600	31	38322-14600	33	38210-73000	35
32823-14600	31	38423-14600	33	38215-61000	35
32825-14600	31	38315-01302	33	38216-61000	35
32830-14600	31	38421-07200	33	38320-25660	35
32832-14600	31	38424-25660	34		
32833-14600	31	38424-32200	34		
32834-14600	31	38424-32201	34	40000	
32835-14600	31	38424-32202	34		
32836-14600	31	38425-00100	34	40000-14650	36
32841-14652	31	38426-32200	34	40014-14650	36
32843-14650	31	38427-25660	34	40015-14650	36
32844-14600	31	38100-61000	34	40074-10602	36
32849-14600	31	38102-01300	34	54611-04250	36
32851-14600	31	38103-01300	34	41000-14600	38
32852-14600	31	38440-25660	34	41005-14600	38
32853-14600	31	38453-61200	34	41010-14600	38
32857-14600	31	38454-61200	34	41020-14600	38
32858-14600	31	38455-61200	34	41025-14600	38
32865-14600	31	38456-61200	34	41028-14600	38
32869-14602	31	38457-61200	34	41029-14600	38
32873-14600	31	38120-61000	34	41030-14600	38
32875-14600	31	38153-61200	34	41035-14600	38
32876-14600	32	38154-61200	34	41039-14600	38
32877-14600	32	38155-61200	34	41060-14600	38
32878-14600	32	38156-61200	34	41140-14600	38
32879-14600	32	38165-61001	34	41141-14600	38
32885-14600	32	38166-61001	34	46201-10600	38
32886-14600	32	38167-61001	34	46237-30000	38
32887-14600	32	38125-61001	35	46205-61000	38
32888-14600	32	38126-61001	35	46206-61000	38
32889-14600	32	38127-61001	35	46361-61000	38
32892-14600	32	38128-61001	35	46362-08500	38
32896-14600	32	38129-61001	35	46363-08500	38
36451-14600	32	38130-61001	35	40202-14600	39
36510-14600	32	38131-61001	35	40206-14600	39
36512-14600	32	38132-61001	35	40215-14600	39
36530-14600	32	38133-61001	35	40221-14600	39
36531-14600	32	38134-61001	35	40225-14600	39
36546-14600	32	38135-61001	35	40234-14600	39
36547-14600	32	38136-61001	35	40300-14600	39
37000-14600	33	38137-61001	35	40315-16300	39
38164-14600	40	38138-61001	35	43000-14650	40
38300-14600	33	38139-61001	35		

Part No.	Page	Part No.	Page	Part No.	Page	
40234-14600	39	55247-14700	43	<i>70000</i>		
40300-14600	39	51010-14700	43			
40315-16300	39	55262-14600	43			
43000-14650	40	55266-14600	43		74801-14602	49
43010-14600	40	57210-14600	48		74801-14603	49
43100-14600	40	57901-14600	48		74810-14602	49
43010-14600	40				74810-14603	49
43084-10600	40	<i>60000</i>			74813-14601	49
43036-10601	40				74901-14600	49
44000-14600	40	62300-14600	48		74902-14600	49
44010-14600	40	62507-14600	48		74921-14600	49
44100-14600	40	62680-14600	48		74921-14601	49
46010-14601	40	63100-14739	48		74921-14700	49
46223-14600	40	63101-14637	48	74921-14701	50	
46223-14700	41	63801-14600	48	74922-14600	50	
46228-14600	41	63805-14600	48	74922-14601	50	
46242-14700	41	64100-14650	48	74922-14700	50	
46240-14600	41	64100-14750	48	74922-14701	50	
46229-12900	41	64101-14650	48	74932-14600	50	
46290-14601	41	64101-14750	48	74933-14600	50	
46310-14601	41	65100-14600	48	74934-14600	50	
46357-35000	41	66103-14600	48	74936-14600	50	
46201-10600	41	66104-14600	48	74937-14600	50	
46520-14600	41	66300-14650	48	74938-14600	50	
46520-14701	41	66300-14750	48	74950-14600	50	
46540-14600	41	66514-14601	48	74950-14601	50	
48020-14600	41	66518-14600	48	76600-14600	50	
48050-14600	43	66530-14600	48	76601-14600	50	
48050-14700	43	66531-14600	48	76810-14600	50	
48317-14600	43	66911-14600	48	76811-14600	50	
48317-14700	43	66911-14601	48	76921-14600	50	
48324-14600	43	66912-14600	49	76921-14601	50	
48326-14600	43	66912-14601	49	76922-14600	50	
	43	67901-14600	49	76922-14601	50	
		67902-14700	49	76931-14600	51	
<i>50000</i>		67903-14600	49	76931-14601	51	
		67903-14700	49	76932-14600	51	
50100-14600	43	68100-14600	49	76932-14601	51	
50100-14700	43	68100-14700	49	78100-14600	51	
51010-14600	43	68131-14600	49	78101-14600	51	
51030-14600	43	68132-14600	49	78201-14600	51	
54050-14600	43	68133-14600	49	78202-14600	51	
55054-14600	43	68134-14600	49	79811-14600	51	
55240-14600	43	68149-14600	49	79900-14600	51	
55247-14600	43	68149-14700	49	79900-14601	51	

Part No.	Page	Part No.	Page	Part No.	Page	
80802-14600	51	<i>STANDARD PARTS</i>				
84300-14600	51					
84403-14601	51		2-24520-1	40		
84404-14601	51		3-14012-1	30		
84408-14602	51		9-11140-1	30		
84420-14600	52		9-15115-1	30		
84530-14600	52		9-15118-1	30		
84533-14601	52					
84573-14600	52					
84901-14600	52					
86000-14600	52					
86000-14601	52					
86000-14700	52					
86000-14701	52					
87000-14600	52					
87000-14601	52					
87000-14700	52					
87000-14701	52					
86600-14600	52					
86600-14601	52					
86300-14600	52					
86300-14601	52					
87300-14600	52					
87300-14601	52					
<i>90000</i>						
96500-14601	52					
97706-14600	52					
97760-14600	52					
97800-14650	52					
97800-14651	52					
96901-14606	52					
96901-14607	53					
96901-14704	53					
96901-14705	53					

